

# 18v50w solar photovoltaic panel power generation

**ESS**



## 18v50w solar photovoltaic panel power generation

---



### Solar Calculator

Calculate how much power you need with these solar calculators to estimate the size and the cost of the solar panel array needed for your home energy usage.

### How much electricity do solar panels produce?

Figure 1 shows PV generation in watts for a solar PV system on 11 July 2020, when it was sunny throughout the day and on 13 July when there was a mixture of sun and cloud. A south facing solar ...



### Solar Panel 18V 50W

Silicon solar PV module Maximum Power Voltage (Vmp): 18.8 V ...

### How Many kWh Does A Solar

## Panel Produce Per Day? Calculator

Most common solar panel sizes include 100-watt, 300-watt, and 400-watt solar panels, for example. The bigger the rated wattage of a solar panel, the more kWh per day it will produce.

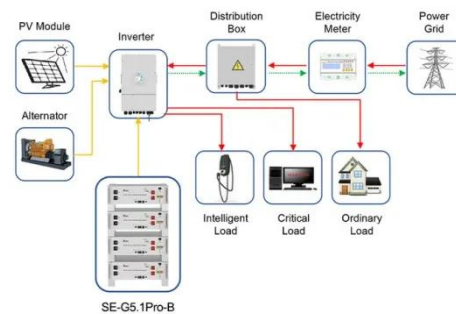


### Solar Panel 18V 50W

This 18V 50W solar panel delivers robust power output in a space-saving design (505 x 600 x 25mm), making it ideal for off-grid systems, mobile applications, and medium-scale solar projects.

## How much electricity can 18V50W solar energy generate?

In many cases, solar panels can have an output close to their rated power only when full sunlight exposure is achieved. For instance, in regions with approximately 5-6 hours of good sunlight ...



Application scenarios of energy storage battery products

### 50W/18V mono crystalline photovoltaic solar panel

6. Excellent low light performance on

cloudy days, mornings and evenings.  
1. Easy installation and handling for various applications. 2. Pre-drilled holes compatible with ground mounts, Z-brackets, ...



---

## Amazon : 50W 18V Solar Panel Kit with Built-in 12V PWM Charge

These N-type modules are less sensitive to temperature variations, ensuring consistent power generation even in cloudy conditions. They excel in bifacial power generation by harnessing ...



- ✓ 100KW/174KWh
- ✓ Parallel up-to 3sets
- ✓ IP Grade 54
- ✓ EMS AND BMS

---

## 50 watt Solar Panel: The Ultimate Guide (What Can It Power?)

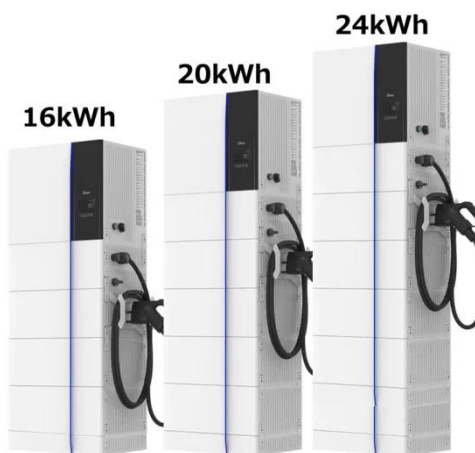
In the real world, on average, a 50-watt solar panel will produce about 200 watts of DC power output or 16 amps @ 12 volts per day. Considering 5 hours of peak sunlight.

---

## PVWatts Calculator

Estimates the energy production and

cost of energy of grid-connected photovoltaic (PV) energy systems throughout the world. It allows homeowners, small building owners, installers and manufacturers to ...



## Solar Panel 18V 50W

Silicon solar PV module Maximum Power Voltage (Vmp): 18.8 V Maximum Power (Pmax): 50 W Maximum Power Current (Imp): 2.66 A Open Circuit Voltage (Voc): 22.94 V

## Solar Panel kWh Calculator: kWh Production Per Day, Month, Year

Based on this solar panel output equation, we will explain how you can calculate how many kWh per day your solar panel will generate. We will also calculate how many kWh per year do solar panels ...



## Contact Us

For catalog requests, pricing, or partnerships, please visit:  
<https://www.kidsandparents.pl>

