

40-foot photovoltaic container for emergency rescue



Overview

High-efficiency Mobile Solar PV Container with foldable solar panels, advanced lithium battery storage (100-500kWh) and smart energy management. Ideal for remote areas, emergency rescue and commercial applications. Fast deployment in all climates. What is LZY mobile solar container system?

LZY. Highjoule's mobile solar containers provide portable, on-demand renewable energy with foldable photovoltaic systems (20KW-200KW) in compact 8ft-40ft units. It not only transports the PV equipment, but can also be deployed on site. It is based on a 10 - 40 foot shipping container. Join us as a distributor! Sell locally —. Safeguard your equipment against severe weather, vandalism and theft with our ultra-secure 40' high cube shipping container.

40-foot photovoltaic container for emergency rescue



430KWh Portable Foldable PV Energy Storage Unit (40ft High Cube)

Built in a 40ft High Cube foldable container, this all-in-one portable system is tailored for long-term off-grid operations requiring ultra-high capacity and energy security.

Instant Off-Grid(TM) Shipping Containers with Solar and ...

Our 20 and 40 foot shipping containers are outfitted with roof mounted solar power on the outside, and on the inside, a rugged inverter with power ready battery bank.



Customized Mobile Solar Container , Portable Solar Energy Storage

Ideal for temporary power, remote locations, or emergency backup, these all-in-one solutions combine high-efficiency solar generation with integrated storage for rapid deployment in construction, events, ...

40 ft. by 8 ft. by 9.5 ft. High Cube PV3 Safety Storage Container

This PV3 container rental is built from weatherproof 14-gauge steel and features an emergency release lever to prevent lock-ins. Additionally, this high cube container has a height of 9.5', perfect for ...



Battery Energy Storage Container

This large battery energy storage container has the characteristics of flexibility and easy transportation. It can be quickly deployed in needed areas, providing reliable power supply and energy storage for ...

Mobile Solar PV Container , Portable Solar Power Solutions

High-efficiency Mobile Solar PV Container with foldable solar panels, advanced lithium battery storage (100-500kWh) and smart energy management. Ideal for remote areas, emergency rescue and ...



Intelligent Photovoltaic Energy Storage Container for

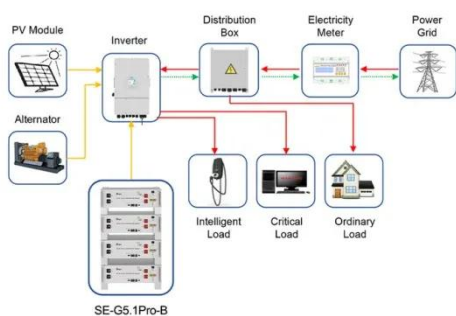
Emergency ...

High-efficiency Mobile Solar PV Container with foldable solar panels, advanced lithium battery storage (100-500kWh) and smart energy management. Ideal for remote areas, emergency rescue and ...



215KWh Fold-Out Solar Container Battery System (40ft)

With 140kW solar and 215kWh battery in a 40ft container, it handles heavier industrial loads in harsh outdoor conditions, supporting sustainable operations with minimal maintenance.



Application scenarios of energy storage battery products

Mobile Solar Container Systems , Foldable PV Panels

This is the product of combining collapsible solar panels with a reinforced shipping container to provide a mobile solar power system for off-grid or remote locations.

Container battery energy storage system

This design delivers the dual benefits of

flexibility and easy transportation, allowing ZN-MEOX to quickly deploy the containers to areas where power is urgently needed--from remote ...



Contact Us

For catalog requests, pricing, or partnerships, please visit:
<https://www.kidsandparents.pl>

