

5kW grid-tied solar energy storage cabinet grid inverter in china in italy



5kW grid-tied solar energy storage cabinet grid inverter in china in



Grid Tie Inverter 5KW

This guide explores the four main types of 5kW grid-tie inverters to help you choose the best solution for your energy needs, whether for home use, small business operations, or hybrid solar setups.

LUMINOUS GTI 5KW GRID TIE INVERTER

With best-in-class reliability and compliance to safety standards, the inverters are available in capacities from 1kW to 50 kW. The transformer-less design makes Luminous GTI highly efficient to deliver ...



Best 5kW Grid Tie Inverters for Efficient Solar Power Systems

Choosing the right 5kW grid tie inverter is essential for maximizing energy conversion and ensuring smooth integration with the electrical grid. Below is a summary table of the top five ...

5KW Inverter 10.24kWh All-in-One Home Energy Storage Cabinet

Designed for seamless off-grid solar integration or grid-tied peak shaving, this system reduces electricity costs by optimizing energy usage during high-tariff periods. Ideal for residential backup power during ...



5000 Watts (5KW) Solar Grid-Tied Solar Power System

This system works same as any of our other grid tie system interacting with the existing utility grid, feeding excess energy back onto the grid, and spinning the meter backwards.

Growatt 5KW Grid Tie Inverter , Grid Tie with Backup - ROCKSOLAR

Enhance your solar setup with the Growatt 5KW MIN 5000TL-XH-US grid tie inverter. Designed for efficient energy conversion and battery storage support, this inverter offers grid tie with backup ...



5kW Cabinet Energy Storage System with Built-In Inverter



All-in-one 5kW Energy Storage cabinet with built-in inverter and LiFePO4 battery support. Ideal for home backup, off-grid, and small commercial use.

Best 5kw Grid Tie Inverter Systems for Home Solar Installations

Explore reliable grid-tie inverters that maximize solar energy conversion for American homes. The following 5 products--ranging from ~700W to ~1400W--offer MPPT optimization, pure ...



Grid tie inverter 5kw grid solar inverter 5000W

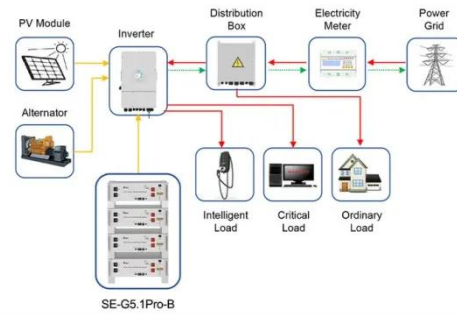


1kw to 5kw grid tie inverter design: High output The highest efficiency 98.2% Real-time and accurate MPPT algorithm, MPPT efficiency greater than 99.5% to ensure maximum return Wide operating ...

S5000TL best 5kw on grid inverter single phase solar

mppt

With a robust 5kW output and state-of-the-art MPPT technology, this on grid inverter delivers unparalleled efficiency, reliability, and user-friendly operation for modern solar installations.



Application scenarios of energy storage battery products

Contact Us

For catalog requests, pricing, or partnerships, please visit:
<https://www.kidsandparents.pl>

