

A group of 108 photovoltaic panels



Overview

The 108-cell solar panels, also known as high-capacity solar panels, are a specialized type of photovoltaic module designed to harness sunlight and convert it into electricity. These panels are an upgrade from traditional panels, offering increased power output due to their. Among the myriad solar panels available, the 108-cell solar panel has gained significant attention for its higher power output, improved efficiency, and space-saving design, making it a compelling choice for a variety of applications. Rated at 435 watts, it offers class-leading power output with a positive power tolerance of 0 to +5W. Solar Innova uses the latest materials to manufacture photovoltaic modules. Our modules are ideal for any application that uses the photoelectric effect as a clean energy source because of its minimal chemical pollution and no noise pollution. The front of the module contains a tempered solar glass.

A group of 108 photovoltaic panels

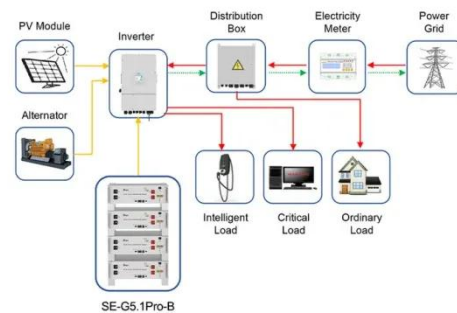


ZnShine 440W 108-Cell Bifacial Solar Panel

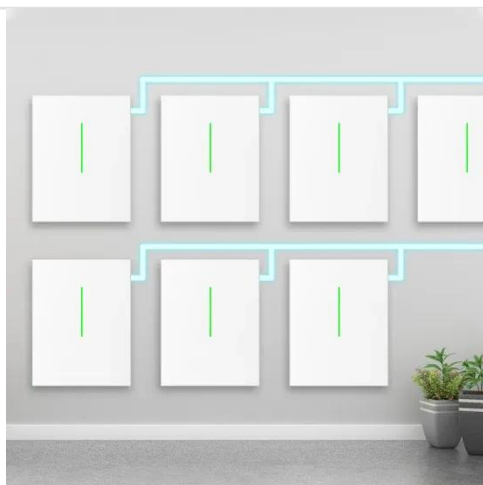
ZnShine 440W 1500 VDC 108-Cell Bifacial Solar Panel is a bifacial photovoltaic module engineered for residential, commercial, and light utility solar installations that require high system voltage ...

Somera 380-410W Solar Panel , High-Efficiency 108-Cell Module

Explore Vikram Solar's Somera 380-410W 108-cell solar panel, designed for superior performance, durability, and efficient energy generation for residential and commercial applications.



Application scenarios of energy storage battery products



Monocrystalline Solar Panels

SunWatts works with all the top brands to sell monocrystalline solar panels at the lowest possible cost.

How Many Solar Cells Are in a Typical Panel?

Explore the typical count of silicon cells in solar panels, their wattage, size, efficiency, and types: monocrystalline vs. polycrystalline.



ESS



Mission Solar , Home

The 435W by Mission Solar Energy is a high-efficiency, American-made 108 half-cut cell solar module built for both residential and commercial rooftops. Rated at 435 watts, it offers class-leading power ...

Seraphim Seco SRP-410-BMD-HV 410W Black on Black 108 Half-Cell ...

Unlock superior energy yield with the Seraphim SECO SRP-410-BMD-HV, a high-performance 410W bifacial solar panel. Designed for durability and sleek aesthetics, its all-black design integrates ...



How many photovoltaic solar panels are considered a group?

Photovoltaic solar panels convert



sunlight into electricity through the photovoltaic effect. The grouping of these panels often depends on several technical and functional criteria. The ...

Photovoltaic Panel 108-Group Installation: A Comprehensive

...

When installing 108 photovoltaic panels, think of it as assembling a solar orchestra where each section must harmonize. Unlike smaller residential setups, this scale requires professional system voltage ...



108 Cell solar panels for sale , Buy online for home, boat and RV

Among the myriad solar panels available, the 108-cell solar panel has gained significant attention for its higher power output, improved efficiency, and space-saving design, making it a ...

Contact Us

For catalog requests, pricing, or partnerships, please visit:
<https://www.kidsandparents.pl>

