

Advantages of solar grid-connected power generation



Overview

GENERATION OF ELECTRICITY THROUGH SOLAR POWER GRID CONNECTION:

The solar power grid-connected system generates electricity through the interaction of solar panels, an inverter, and the existing electrical grid—1,

**Solar panels capture sunlight and convert it into direct current (DC).

GENERATION OF ELECTRICITY THROUGH SOLAR POWER GRID CONNECTION:

The solar power grid-connected system generates electricity through the interaction of solar panels, an inverter, and the existing electrical grid—1,

**Solar panels capture sunlight and convert it into direct current (DC).

However it is difficult to integrate a large amount of “must-take” generation into the grid because its availability is uncertain and constantly changing.

Photovoltaics (PV) may be centrally located in large plants or distributed on rooftops. Distributed PV has benefits, such as low land use and no.

A grid-connected system allows you to power your home or small business with

renewable energy during those periods (daily as well as seasonally) when the

sun is shining, the water is running, or the wind is blowing. Any excess

electricity you produce is fed back into the grid. These systems are very useful

to decrease carbon emissions and electricity bills. What Are the Benefits of On-

Grid Solar System?

The.

Advantages of solar grid-connected power generation



Grid Connected PV System: Components, Advantages, ...

Discover the full benefits of an advantages of on-grid solar system, from lower energy bills to long-term sustainability and policy advantages.

Advantages Of On-Grid Solar System , KPI Green Energy

Discover the full benefits of an advantages of on-grid solar system, from lower energy bills to long-term sustainability and policy advantages.



Integrating solar and wind energy into the electricity grid for

Solar and wind integration into the mainstream grid reduces greenhouse gas emission. Solar and wind hybrid system increase electricity accessibility. Integrating solar and wind energy ...

Advantages of On-Grid Solar System: Clean Energy Benefits

What are the key advantages of an on-grid solar system? On-grid solar systems offer reduced electricity bills, potential income through excess energy sales, and environmental benefits.



Grid Connected PV System: Components, Advantages, ...

When the grid-connected PV system is installed on residential or commercial rooftops, it provides solar electricity to all the electrical ports and sockets. This PV system has a simple design ...

Top 10 Benefits of an On-Grid Solar System , Solar Power Nerd

This article will explain the benefits of on-grid solar systems that everyone can have after installing solar panels at their home, small or large scale businesses, and connecting the solar system to the grid.



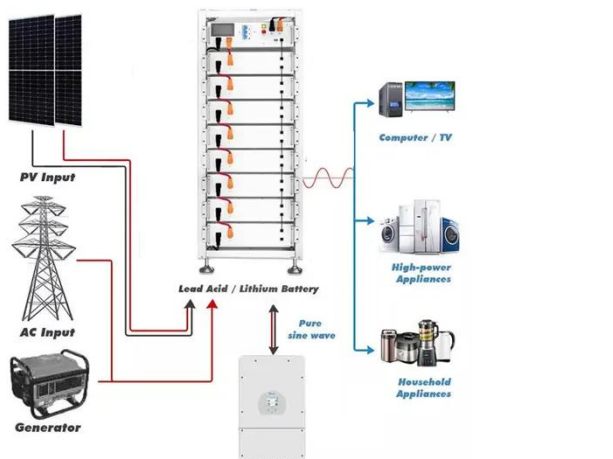
Grid-Connected Renewable Energy Systems



A grid-connected system allows you to power your home or small business with renewable energy during those periods (daily as well as seasonally) when the sun is shining, the water is running, or ...

Solar Power and the Electric Grid, Energy Analysis (Fact Sheet)

Grid-connected, distributed generation sources such as rooftop PV and small wind turbines have substantial potential to provide electricity with little impact on land, air pollution, or CO2 emissions.



Advantages of solar grid-connected power generation

The feasibility, necessity and advantages of applying solar energy to urban rail transit are introduced and the principle and composition of solar photovoltaic grid-connected power generation system are ...

How does solar power grid-connected electricity generate electricity

Engaging in solar energy generation provides significant long-term savings on utility bills. The initial investment returns through decreased energy expenditures can promote overall economic ...



Solar Energy and its Countless Benefits for the Power Grid

Solar power offsets the need for spending on grid upgrades and maintenance. Reduced power grid demand peaks, less energy loss, and minimal grid stress delay the need for any ...

Contact Us

For catalog requests, pricing, or partnerships, please visit:
<https://www.kidsandparents.pl>

