

# Albania solar storage



## Overview

---

Beyond simply generating solar power, Albania's strategy incorporates battery energy storage systems (BESS) to enhance grid reliability. These systems are crucial for managing the intermittent nature of solar energy. In a significant development for the renewable energy landscape in Southeast Europe, Turkish developer Fortis Energy has commenced construction on a new solar power facility in southeastern Albania. This project, located near the town of Erseke, will feature a solar power plant with an installed. The Southeast European country's solar and storage market is in its early stages but developing rapidly, drawing increasing investor interest and EU support. Discover the latest trends in our weekly focus, 8-11 December. While Albania already generates a large share of its electricity from. Fortis Energy has 3GW of renewable energy capacity in its pipeline across Europe.

## Albania solar storage

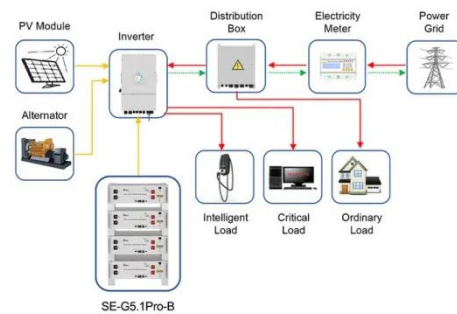


### Fortis Energy Initiates Construction of 62 MW Solar and Battery Storage

In a significant development for the renewable energy landscape in Southeast Europe, Turkish developer Fortis Energy has commenced construction on a new solar power facility in southeastern Albania.

### Albanian solar markets open up as storage arrives

Supported by government incentives and EU funding, the battery storage sector is now beginning to take its first steps as an additional pillar of Albania's power system.



Application scenarios of energy storage battery products

- LiFePO<sub>4</sub> Battery, safety**
- Wide temperature: -20~55°C**
- Modular design, easy to expand**
- The heating function is optional**
- Intelligent BMS**
- Cycle Life: > 6000**
- Warranty: 10 years**



### Fortis Energy invites EPC bids for 75MW solar-plus-storage project in

Turkish renewable energy company Fortis Energy has is seeking EPC providers for the Ersekë Solar Power Plant in Albania, which combines 75MW of solar PV capacity with a 25MWh battery energy

## Albania's Renewable Energy Shift: Wind, Solar & Storage Solutions

Summary: Albania is rapidly emerging as a leader in renewable energy adoption. This article explores how wind and solar energy storage projects are transforming the country's power grid, reducing carbon emissions, and ...



## Albania: Fortis Energy breaks ground on 62 MW solar and battery ...

Construction has officially begun on a new renewable energy facility in southeastern Albania, where Turkish developer Fortis Energy is building a large-scale solar power plant combined with battery ...

## Albania solar energy: Impressive 2024 Expansion Plans

Beyond simply generating solar power, Albania's strategy incorporates battery energy storage systems (BESS) to enhance grid reliability. These systems are crucial for managing the ...



## Albania Gravity Energy Storage Project: A Renewable Energy Breakthrough



Summary: The Albania Gravity Energy Storage Project represents an innovative approach to storing renewable energy. This article explores how gravity-based systems could transform energy storage for wind and solar ...

## Tirana Energy Storage Planning Project: Key Strategies for a

Summary: As Albania accelerates its renewable energy transition, the Tirana Energy Storage Planning Project emerges as a critical initiative to stabilize the grid and integrate solar/wind power.



**215kWh**

8,000+ Cycles Lifetime

IP54 Protection Degree



## Albania's Solar Energy Storage Revolution: Powering a Sustainable

You've probably heard Albania's hydropower plants are struggling. With droughts reducing output by 40% in 2023 alone, the country's facing an energy crossroads. Solar energy storage isn't just an option anymore - ...

## Contact Us

---

For catalog requests, pricing, or partnerships, please visit:  
<https://www.kidsandparents.pl>

