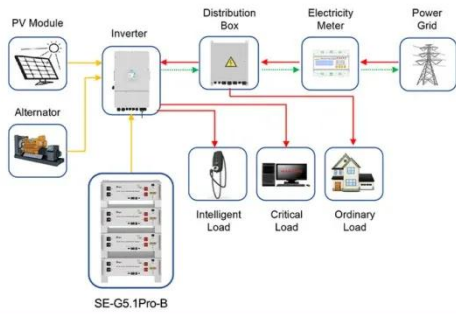


Analysis of photovoltaic panel voltage test results



Analysis of photovoltaic panel voltage test results



Application scenarios of energy storage battery products

Photovoltaic Performance , Photovoltaic Research , NLR

Photovoltaic Performance NLR scientists study the long-term performance, reliability, and failures of photovoltaic (PV) components and systems in-house and via external collaborations. ...

Comprehensive Analysis of Solar Panel Performance and

...

The machine learning algorithm is verified by the field data of a 10 kWp solar PV power plant. With a test-bed framework for data mining and model selection, it achieves a high prediction ...



GEL Battery



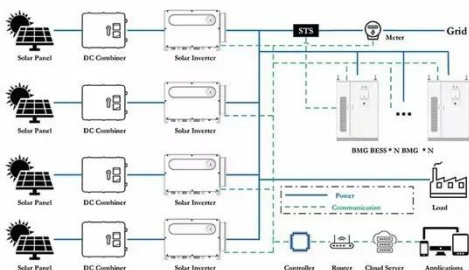
Lithium Battery



Container storage system



Power Battery



Essential Methods to Test Solar Panel Performance and Battery ...

Learn essential methods to test solar panels' performance, including voltage and current testing, infrared thermal imaging, and surface inspections to ensure optimal battery health and ...

Enhanced photovoltaic panel diagnostics through AI integration ...

This paper introduces a diagnostic methodology for photovoltaic panels using I-V curves, enhanced by new techniques combining optimization and classification-based artificial intelligence.



Electrical testing standards guide for the PV Industry

Voltage and polarity overview For technicians who are working on photovoltaic (PV) systems, it is critical to measure and document voltage and confirm polarity. These measurements ...

Voltage stability assessment for solar photovoltaic penetration ...

This paper examines and evaluate the power systems voltage stability with increasing SP penetration levels by employing both the Active Power-Voltage (PV) and Reactive Power-Voltage ...

114KWh ESS



ISO 9001 ISO 14001 PICC RoHS CE MSDS UN38.3 UK CA IEC

Simulation and Fault Diagnosis Using Current-Voltage



A review of fault detection and diagnosis approaches for photovoltaic systems using voltage and current analysis. In Proceedings of the IEEE 4th International Conference in Power ...

Photovoltaic panel string open circuit voltage test

For checking the voltage of PV modules connected in series. Check the operation and installation of control devices such as relay switches and circuit breakers. Test the insulation ...



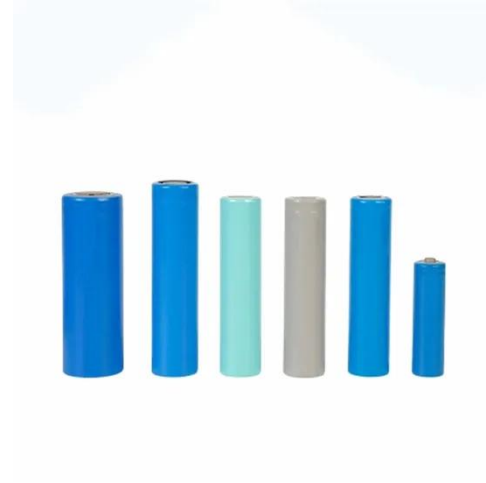
How to test solar photovoltaic panels , NenPower

To test solar photovoltaic panels, it is essential to follow a systematic approach that involves several key steps: 1. Inspect the panels visually for any physical damage, corrosion, or dirt ...

(PDF) Real-Time Analysis for Enhancement of Photovoltaic Panel

Abstract and Figures This study

addressed the quality assessment of photovoltaic (PV) panels by analyzing their efficiency and electrical power under varying environmental conditions.



Contact Us

For catalog requests, pricing, or partnerships, please visit:
<https://www.kidsandparents.pl>

