

Are all energy storage batteries lithium batteries



Overview

A lithium-ion battery or Li-ion battery is a type of that uses the reversible of Li ions into electronically solids to store energy. Compared to other types of rechargeable batteries, they generally have higher,, and and a longer and calendar life. In the three decades after Li-ion batteries were first sold in 1991, their volumetric energy.

Are all energy storage batteries lithium batteries



Solid State vs Lithium Ion: The Future of Energy Storage and Battery

Explore the solid state vs lithium ion debate in this detailed battery technology comparison, highlighting differences in energy density, longevity, safety, and future energy storage

Power vs. Energy Storage Batteries: What's the Real Difference?

However, not all lithium batteries are created equal. Two main categories--power lithium batteries and energy storage lithium batteries--are designed with distinct performance objectives in ...



Executive summary - Batteries and Secure Energy Transitions

- ...

Executive summary Batteries are an essential part of the global energy system today and the fastest growing energy technology on the market Battery storage in the power sector was the fastest ...

Types of Battery Energy Storage Systems (BESS) Explained

Battery Energy Storage Systems (BESS) are devices that store energy in chemical form and release it when needed. These systems can smooth out fluctuations in renewable energy ...



Lithium-ion battery

OverviewHistoryDesignBattery designs and formatsUsesPerformanceLifespanSafety

A lithium-ion battery or Li-ion battery is a type of rechargeable battery that uses the reversible intercalation of Li ions into electronically conducting solids to store energy. Compared to other types of rechargeable batteries, they generally have higher specific energy, energy density, and energy efficiency and a longer cycle life and calendar life. In the three decades after Li-ion batteries were first sold in 1991, their volumetric energy...

Know the Facts: Lithium-Ion Batteries

Lithium-ion (Li-ion) batteries are used in many products such as electronics, toys,

wireless head-phones, handheld power tools, small and large appliances, electric vehicles, and electrical energy storage ...

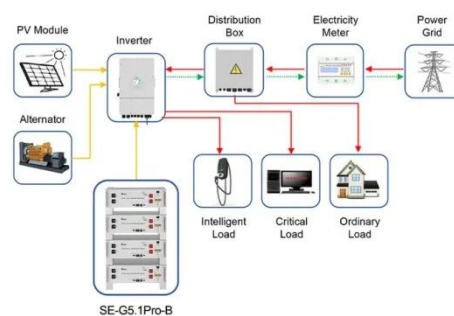


Lithium-ion batteries and the future of sustainable energy: A

Current knowledge, trends, and challenges in Lithium-ion battery technology are summarized. A novel integration of Lithium-ion batteries with other energy storage technologies is ...

Why are lithium-ion batteries, and not some other kind of battery, used

Lithium-ion batteries have higher voltage than other types of batteries, meaning they can store more energy and discharge more power for high-energy uses like driving a car at high speeds ...



Application scenarios of energy storage battery products

Are All Batteries Lithium? Understanding the Full Landscape of Battery



Not all batteries are lithium, and that diversity enables tailored solutions across industries and applications--from golf carts and UPS systems to portable electronics and grid-scale storage.

Lithium-ion battery

A lithium-ion battery or Li-ion battery is a type of rechargeable battery that uses the reversible intercalation of Li^+ ions into electronically conducting solids to store energy.



Lithium Ion (Li-Ion) Batteries

Li-ion batteries have been deployed in a wide range of energy-storage applications, ranging from energy-type batteries of a few kilowatt-hours in residential systems with rooftop photovoltaic arrays to ...

Contact Us

For catalog requests, pricing, or partnerships, please visit:
<https://www.kidsandparents.pl>

