

Austria containerized energy storage cabin manufacturer



Austria containerized energy storage cabin manufacturer

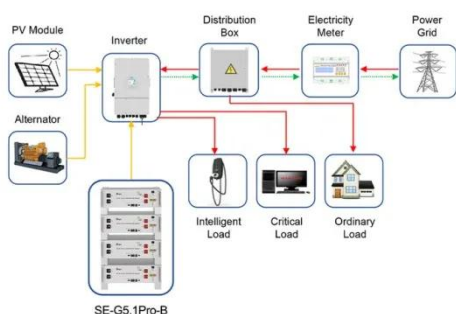


Energy Storage Suppliers In Austria

Find the top Energy Storage suppliers & manufacturers in Austria from a list including CellCube INC., Kälte- und Systemtechnik GmbH & Kreisel Electric GmbH & Co Kg

Energy Storage Equipment, Energy storage solutions, Lithium battery

Huijue Group offers industrial and commercial energy storage, PV-BESS -EV Charging, Off-grid / On-grid Microgrid, telecom site solutions, and home solar energy storage, ensuring ...



Application scenarios of energy storage battery products

LZY Energy Storage Products

LZY Energy provides efficient and reliable energy management solutions for I& C users through leading technology and careful design. We are committed to promoting energy transformation and ...

Energy storage , RAG Austria AG

RAG's energy storage facilities are highly versatile. Their wide range of capabilities guarantees security of supply in Austria and Europe, and they hold the key to a green energy future.



TAX FREE 

ENERGY STORAGE SYSTEM

Product Model
 HJ-ESS-215A(100KW/215KWh)
 HJ-ESS-115A(50KW 115KWh)

Dimensions
 1600*1280*2200mm
 1600*1200*2000mm

Rated Battery Capacity
 215KWH/115KWH

Battery Cooling Method
 Air Cooled/Liquid Cooled

ESS 

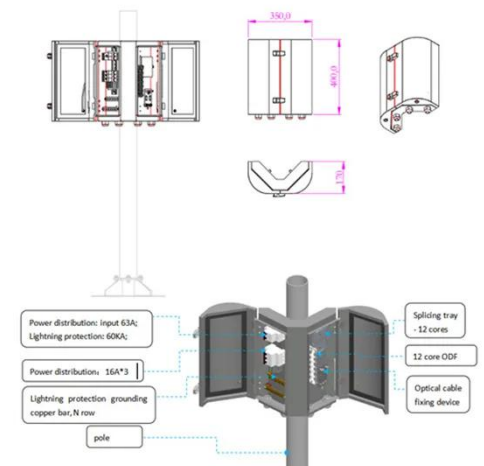


Industrial and Commercial Energy Storage Cooperation

Our energy storage cabinet systems provide efficient solutions for commercial and industrial (C& I) applications, including battery storage, outdoor cabinets and solar systems, ensuring reliable ...

Energy storage systems in Austria

Most companies and research institutions are working on hydrogen storage, followed by innovative stationary electrical storage systems. A total of 17 stakeholders already offer storage on the Austrian ...



Top 100 Energy Storage Companies in Austria (2026) , ensun

114KWh ESS

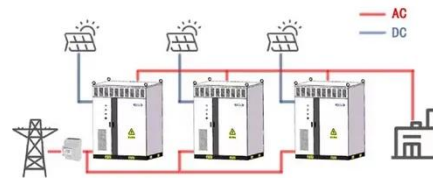


CellCube is a leader in sustainable energy storage, specializing in vanadium redox flow batteries (VRFBs) that allow for efficient and clean storage of large electricity capacities for 4 to 24 hours.

Cabinet Energy Storage System , VREMT

Discover our high-efficiency, modular battery systems with zero capacity loss and rapid multi-cabinet response. Ideal for industrial, commercial, and emergency applications, our solutions offer remote ...

WORKING PRINCIPLE



Container for Sale Austria from Manufacturer

Karmod offers high quality flat pack container cabins to the Austrian market for this need. Karmod's flat pack container cabins stand out with their features such as fast installation, easy portability and ...

Contact Us

For catalog requests, pricing, or partnerships, please visit:
<https://www.kidsandparents.pl>

