

# Balti Lithium Battery Energy Storage Project in Moldova



## Balti Lithium Battery Energy Storage Project in Moldova

---



### Moldova Balti Energy Storage Battery Solutions: Powering a ...

Hospitals, schools, and data centers in Balti are adopting lithium-ion batteries for emergencies. For example, a local clinic reduced generator fuel costs by 70% after installing a 200 kWh storage unit. ...

## Moldova Balti Energy Storage Battery Factory: Powering Eastern ...

Summary: The Moldova Balti Energy Storage Battery Factory represents a pivotal step in Eastern Europe's transition to renewable energy. This article explores its role in grid stability, solar/wind ...



### Moldova Balti Energy Storage Powering Sustainable Growth in ...

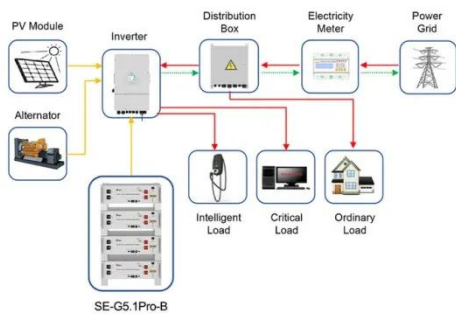
Discover how energy storage solutions in Balti are transforming Moldova's power infrastructure while supporting renewable energy integration. This article explores technological

advancements, regional ...



## Moldova base station energy storage battery

Moldova is installing a battery energy storage system (BESS) at CET Nord thermal power plant's site in Balti, with assistance from the United States in the form of an 85 million



Application scenarios of energy storage battery products

## The Tender for Procuring a Battery Energy Storage System (BESS) ...

The contract is expected to be signed in the coming weeks, with the works scheduled for completion by the end of September 2026. The storage systems will be installed at CET Nord in ...

## Moldova Balti Energy Storage Powering the Future with New Energy ...

While everyone's obsessed with lithium, Moldova's climate demands hybrid solutions. Our latest project combines vanadium flow batteries for long-term storage with supercapacitors for instant grid support.



**Deye Official Store**

**10 years warranty**



## Moldova Secures \$85M U.S. Grant for Cutting-Edge Energy Storage ...

The Energy Ministry expects to sign the contract in the coming weeks and complete the project by September 2026. Workers will install the storage systems at CET-Nord in Balti.

## Moldova Balti Energy Storage Dual Systems: Powering Sustainable ...

The Moldova Balti energy storage dual concept combines lithium-ion batteries with flow battery systems, creating a hybrid solution that outperforms single-technology setups.



## Moldova to install 75 MW energy storage system with USAID support



The Republic of Moldova will install a 75 MW energy storage system (BESS) and 22 MW internal combustion engines as part of a project funded by the U.S. Government through USAID. The ...

---

## US to invest EUR78.6 million in battery energy storage system in Moldova

The US will invest EUR78.6 million in a large-scale battery energy storage system in Moldova to enhance the country's energy resilience.



---

## Contact Us

For catalog requests, pricing, or partnerships, please visit:  
<https://www.kidsandparents.pl>

