

# Battery swapping station user outdoor energy storage cabinet 200kW



## Battery swapping station user outdoor energy storage cabinet 200kwh

---



### 200kwh Outdoor Integrated Energy Storage Cabinet

Discover TANFON's Outdoor Integrated Energy Storage System a cutting-edge solution that seamlessly combines lithium iron phosphate batteries, advanced Battery Management System (BMS), Power ...

### SRBOX-200 , High-Voltage Battery Storage up to 200 ...

The unit is designed for various energy storage needs, including solar self ...



### 200KWh Outdoor Cabinets energy storage system

Our 200KWh outdoor cabinet energy storage system features a battery pack system enclosure with triple fire protection. With independent relay protection and battery-level thermal monitoring, you can ...

## 200kWh 215kWh 225kWh 245kWh C& I ESS Battery System , BSLBATT

The C& I ESS Battery System is a standard solar energy storage system designed by BSLBATT with multiple capacity options of 200kWh / 215kWh / 225kWh / 245kWh to meet energy needs such as ...



## 50 to 200kW Battery Energy Storage Systems

Discover the MEGATRON Series - 50 to 200kW Battery Energy Storage Systems (BESS) tailored for commercial and industrial applications. These systems are install-ready and cost-effective, offering ...

## Dawnice 200kWh Battery Storage Systems

The outdoor cabinet-type photovoltaic storage system, boasting a power rating of 100kW/200kWh, seamlessly amalgamates energy storage batteries, PCS, power distribution, ...



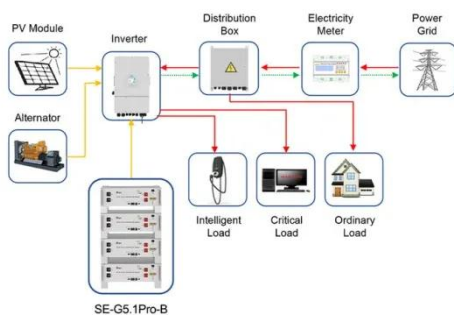
## 200 kWh Battery Energy Storage System , BESS Cabinets



We offer 200 kWh battery energy storage systems to enhance energy efficiency and ensure reliable power management. High-performance BESS cabinets for commercial and industrial use.

## 200KW 200KWH OUTDOOR ENERGY STORAGE ALL IN ONE SYSTEM , ICEENG CABINET

Battery swapping station external energy storage cabinet grid-connected type Battery Swapping Station (BSS) proposes an alternative way of refueling Electric Vehicles (EVs) that can lead towards a ...



Application scenarios of energy storage battery products

## 200kWh-241kWh High Voltage Lithium Battery Energy Storage ...

It offers peak shaving, energy backup, demand response, and increased solar ownership capabilities. Additionally, this energy storage system supports grid-tied, off-grid, and hybrid solar systems and can ...

## SRBOX-200 , High-Voltage Battery Storage up to 200 kWh

The unit is designed for various energy storage needs, including solar self-consumption, peak energy shaving, energy arbitrage and essential circuit backup. It has a wide temperature range of -20°C to ...



## Commercial & Industrial Storage BESS System 200kWh, 220kWh, ...

All equipment is pre-integrated into an IP-rated outdoor protective cabinet, ensuring ready deployment upon arrival and immediate power generation upon installation, significantly reducing ...

## Contact Us

For catalog requests, pricing, or partnerships, please visit:  
<https://www.kidsandparents.pl>

