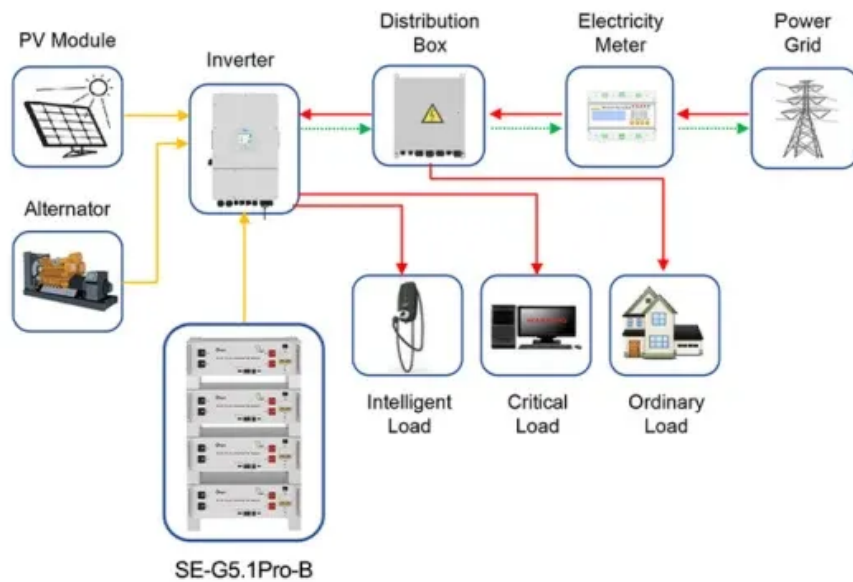


Belarusian commercial and industrial energy storage cabinet selection



Application scenarios of energy storage battery products



Belarusian commercial and industrial energy storage cabinet select



ESS-GRID Cabinet Brochure EN-250106

The ESS-GRID Cabinet series are outdoor battery cabinets for small-scale commercial and industrial energy storage, with four different capacity options based on different cell compositions, 200kWh, ...

Belarus Energy Storage Project: Key Insights & Market Opportunities

This article explores the latest developments, challenges, and commercial opportunities in Belarus energy storage projects, with actionable insights for international investors and industry stakeholders.



Product Details

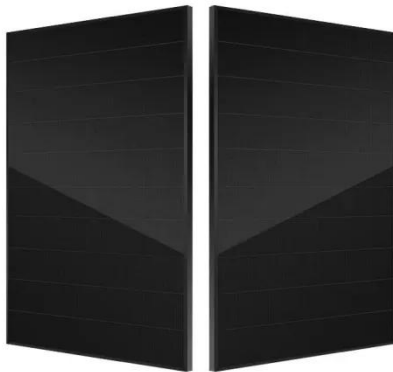


BELARUSIAN ENERGY STORAGE SYSTEM MANUFACTURERS ...

Containerized energy storage solutions now account for approximately 45% of all new commercial and industrial storage deployments worldwide. North America leads with 42% market share, driven by ...

INDUSTRIAL AND COMMERCIAL ENERGY STORAGE CABINETS

Industrial and commercial energy storage cabinets are a modular and integrated energy storage system specifically designed for industrial and commercial scenarios such as factories, parks, shopping ...



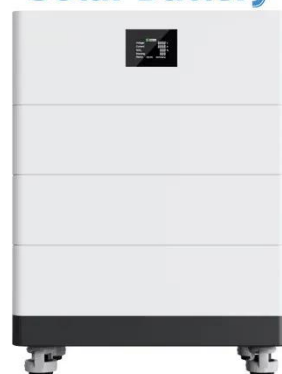
MINSK INDUSTRIAL AND COMMERCIAL ENERGY STORAGE

has become an important part of clean energy. Especially in commercial and industrial (C& I) scenarios, the application of energy storage systems (ESSs) has become an important means to improve ...

Energy Storage Equipment, Energy storage solutions, Lithium battery

Huijue Group offers industrial and commercial energy storage, PV-BESS -EV Charging, Off-grid / On-grid Microgrid, telecom site solutions, and home solar energy storage, ensuring ...

High Voltage Solar Battery



Belarus industrial energy

storage cabinet brand ranking



Looking for reliable industrial energy storage solutions in Eastern Europe? Discover how Minsk-based manufacturers stack up in 2024 and what factors matter most when selecting partners for large-scale ...

Your Guide to Reliable Minsk Commercial Energy Storage Cabinet

That's where Minsk commercial energy storage cabinet suppliers become your silent heroes. These aren't your grandpa's battery boxes; we're talking smart, modular systems that keep ...



Energy storage cabinet

Huijue's Energy Cabinet for industrial, commercial & home use. Combining efficiency, safety, and scalability, it meets your power needs with optimized usage and real-time monitoring.



Cabinet Energy Storage System , VREMT

Discover our high-efficiency, modular battery systems with zero capacity loss

and rapid multi-cabinet response. Ideal for industrial, commercial, and emergency applications, our solutions offer remote ...



Contact Us

For catalog requests, pricing, or partnerships, please visit:
<https://www.kidsandparents.pl>

