

Best battery solar container energy storage system producer

Lower cost
larger system

20Kwh

30Kwh



Verified Supplier



Overview

This comprehensive analysis ranks the top 10 BESS manufacturers based on production capacity, global market presence, technological advancements, and notable project implementations. The global BESS market reached approximately 240 GWh in 2024, a 60% year-over-year increase. Battery energy storage is transforming the energy landscape, offering a sustainable and effective solution for storing electricity. As the world shifts toward renewable energy sources and. Each company on this list has proven its commitment to innovation and sustainability, offering a variety of products from home energy storage batteries to large-scale solutions for commercial and industrial use. We hand-picked startups to showcase in this report by filtering for their technology, founding year, location, funding, and other metrics.

Best battery solar container energy storage system producer

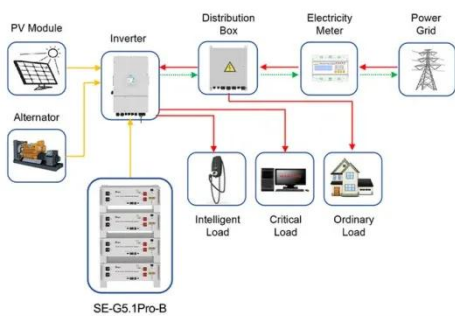


9 Leading Battery Energy Storage Systems Container Companies ...

Explore the pivotal companies driving innovation in the battery energy storage systems container market. This authoritative overview presents competitive analysis and key differentiators, ...

10 Best Battery Energy Storage Companies in 2025

Discover the top 10 best Battery Energy Storage Companies of 2025, leading the way with innovative technologies and global market presence.



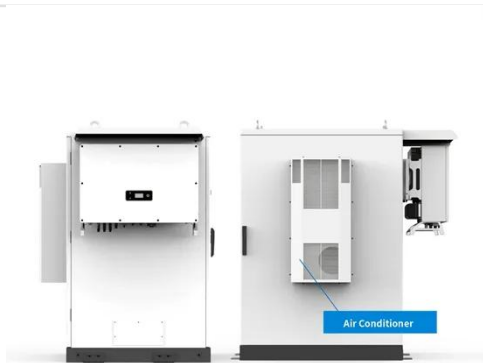
Application scenarios of energy storage battery products

Top 5 BESS Container Brands 2025: Who's Winning the Energy Storage ...

In 2025, the Battery Energy Storage System (BESS) container market is not just growing--it's evolving at a pace that would make even a tech startup blush. What started as a niche solution for remote off ...

Top 10 Reliable Battery Energy Storage System Companies in 2025

As the demand for efficient energy storage solutions continues to increase, identifying reliable energy storage system battery manufacturers is essential for both residential and commercial applications. ...



Top 10 Energy Storage Battery Manufacturers (2025)

Below are ten of the most influential energy storage battery manufacturers worldwide, covering a wide range of applications from residential to commercial and grid-level storage.

Top 10 BESS manufacturers in USA

This article will mainly introduce the top 10 BESS manufacturers in USA including Fluence, AES Corporation, FlexGen, ESS INC., EVO Power, Albemarle, Astrolabe Analytics, Primergy, ...



10 New Battery Storage Companies in 2026 , StartUs Insights

Explore how leading battery energy storage manufacturers are powering renewable energy, grid stability, and sustainability in 2025.



Contact Us

For catalog requests, pricing, or partnerships, please visit:
<https://www.kidsandparents.pl>

