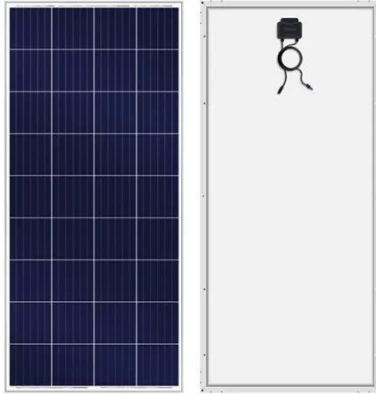


Bifacial solar panels and batteries



Bifacial solar panels and batteries

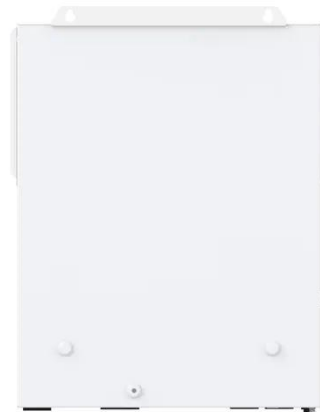


Bifacial modules , Solamp Solar & Energy Storage

Bifacial solar modules are a type of photovoltaic (PV) panel designed to capture sunlight and generate electricity from both sides - the front and the back. This is in contrast to traditional ...

Bifacial Solar Panel Installation Best Practices , Dual-Sided Solar

Bifacial solar panels represent one of the most significant advances in photovoltaic technology. These innovative modules capture sunlight from both sides, potentially boosting energy ...



How Do Bifacial Solar Panels Work , Dual-Sided Energy Tech

In this guide, we'll explore how bifacial panels work, how they differ from traditional ones, and why they could be the perfect fit for your solar needs. Whether you're in California, Texas, or ...

Bifacial Solar Panels: Everything You Need to Know

Bifacial solar panels are revolutionizing the field of technology by harness sun rays, from both directions instead of just one like traditional panels do from the front side alone. This capability ...



Bifacial solar panels: What you need to know

Manufacturers are now able to produce bifacial panels, which feature energy-producing solar cells on both sides of the panel. With two faces capable of absorbing sunlight, bifacial solar ...

Everything You Need To Know About Bifacial Solar Panels

By utilizing more of the available surface area for electricity generation, bifacial solar panels can produce more power from ambient sunlight than a conventional monofacial PV module.



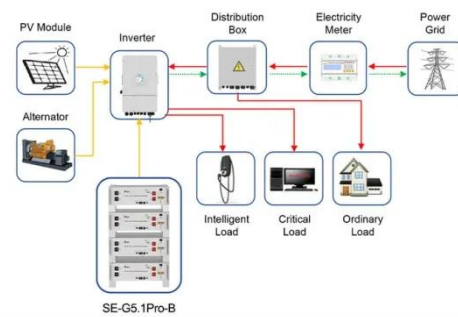
Bifacial solar panels: What you need to know

Manufacturers are now able to produce bifacial panels, which ...



Complete Guide to Bifacial Solar Panels

Traditional panels waste the albedo effect (light reflection), but bifacial models turn this into free energy. With global installations expected to grow by 16% annually (NREL), now's the time ...



Application scenarios of energy storage battery products



Bifacial Solar Panels: Design, Efficiency & Use Cases

Bifacial solar panels offer several advantages over traditional solar panels. They generate electricity from both the front and rear, so they produce more energy in total. They tend to be more ...

Bifacial Solar Panels Residential: ROI & Cost Guide 2026

Bifacial solar panels residential: Expert

ROI guide covering costs, installation strategies, and when they deliver value for US installers.



What Are Bifacial Solar Panels? (2026) , ConsumerAffairs®

While traditional solar panels can only capture sunlight with one sky-facing layer, bifacial solar panels use both sides of the equipment to absorb more of the sun's energy and produce

Contact Us

For catalog requests, pricing, or partnerships, please visit:
<https://www.kidsandparents.pl>

