

Can Kazakhstan's lithium be used for home energy storage



Can Kazakhstan's lithium be used for home energy storage



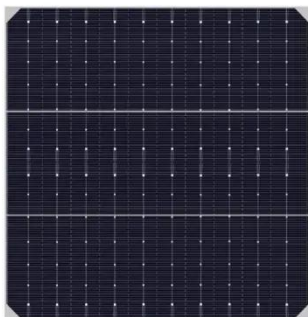
Powering Astana's Future: Lithium Battery Solutions for Energy Storage

Discover how lithium battery technology is transforming energy storage in Astana, Kazakhstan - and why it matters for renewable energy integration.

HOME ENERGY STORAGE IN KAZAKHSTAN POWERING YOUR

...

Energy storage lithium battery for home use The following are the most common types used for home energy storage:1. Lithium Iron Phosphate (LiFePO4)
Features: High thermal stability, long cycle life, ...

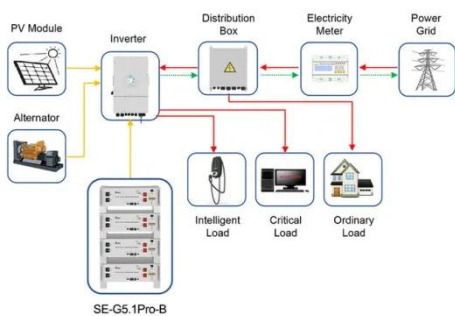


Kazakhstan's Photovoltaic Energy Storage Systems: Why Lithium ...

Imagine harnessing the vast, sun-drenched landscapes of Kazakhstan - a country with over 3,000 hours of annual sunshine - to power cities and industries. That's exactly what photovoltaic (PV) energy ...

Home Energy Storage Quotation in Kazakhstan 2025: Price per ...

The 2025 Price Squeeze: Lithium vs. Policy Incentives Kazakhstan's lithium-ion battery prices are projected to drop to \$280/kWh by Q2 2025 - 18% cheaper than EU averages. Why? Local assembly ...



Application scenarios of energy storage battery products

Kazakhstan lithium phosphate solar batteries

Are lithium iron phosphate batteries a good choice for home solar storage? es to be viewed separately from lithium-ion. Compared Is Kazakhstan a major supplier of uranium and titanium? global supplier ...

ENERGY PROFILE KAZAKHSTAN

Lithium iron phosphate batteries and energy storage pioneered LFP along with SunFusion Energy Systems LiFePO4 Ultra-Safe ECHO 2.0 and Guardian E2.0 home or business energy storage ...



Rechargeable Energy Storage Batteries in Kazakhstan:



Powering a

Why Kazakhstan Needs Advanced Energy Storage Solutions As Central Asia's largest economy, Kazakhstan faces unique energy challenges. With renewable energy capacity projected to reach ...

Can Kazakhstan's lithium be used for home energy storage

Energy Storage Systems: Regulation and Incentives in Currently, lithium-ion batteries are the most popular choice for battery ESS. They are characterized by high energy density, long service life, fast ...



Astana Stationary Energy Storage Battery Powering Kazakhstan's

Astana, Kazakhstan's rapidly growing capital, faces unique energy challenges. With extreme temperature swings (-40°C winters to +35°C summers) and ambitious renewable energy goals, ...

HOME ENERGY STORAGE IN KAZAKHSTAN POWERING YOUR

...

Energy storage systems (ESS), particularly those utilizing lithium-ion batteries, play a crucial role in modern energy management. Battery Energy Storage Systems (BESS) store energy in rechargeable ...



Contact Us

For catalog requests, pricing, or partnerships, please visit:
<https://www.kidsandparents.pl>

