

Can a communication base station inverter be installed upstairs and connected to the grid



Overview

The inverter (s) must be installed on a structure with a load-bearing capacity of >4 times the inverter weight. Install the inverter vertically or at a minimum back tilt of 10°. Understand the components and connections needed to properly set up an inverter system for your home or The data signal is connected to the low-voltage busbar through the power line on the AC side of the inverter, the signal is analyzed by the inverter supporting the data collector, and the Setting. Install the communication base station inverter on the roof and connect it to the grid Page 1/4 SolarInnovate Energy Solutions Install the communication base station inverter on the roof and connect it to the grid Powered by SolarInnovate Energy Solutions Page 2/4 Overview How do you connect a grid. Thus, unlike the off-grid systems, you will connect the inverter directly to the grid. The other wire, which acts as the output wire, connects to the switchboard, which supplies the current. Can grid-connected. Hybrid inverters adeptly manage multiple energy inputs, including solar photovoltaic (PV) arrays, battery banks, the utility grid (if available), and backup generators. This capability is paramount for BTS shelters, where power reliability is non-negotiable.

Can a communication base station inverter be installed upstairs and



COMMUNICATION BASE STATION INVERTER INSTALLATION ...

This research focuses on the discussion of PV grid-connected inverters under the complex distribution network environment, introduces in detail the domestic and international standards and requirements ...

Communication Base Station Inverter Solution Project Overview

In short, integrating solar energy systems into Communication Base Station Energy Solutions Due to harsh climate conditions and the absence of on-site personnel to maintain fuel generators, the ...



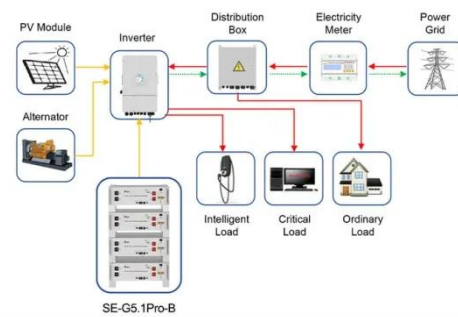
How high should the inverter for a communication base station be

By analyzing the communication methods of various types of photovoltaic inverters, we can understand the characteristics of various inverters, which will help us when choosing



Install the communication base station inverter on the roof and ...

Thus, unlike the off-grid systems, you will connect the inverter directly to the grid. Plug it into the main power switchboard to join the grid, which acts as the input wire.



Application scenarios of energy storage battery products



Three-in-one communication base station inverter grid connection

Grid-connected PV inverters have traditionally been Install the communication base station inverter on the roof Thus, unlike the off- grid systems, you will connect the inverter directly to the grid.

Hybrid Inverter Selection for BTS Shelters: Specs That

Matter

Discover essential specifications for selecting hybrid inverters for BTS shelters and telecom towers. Learn how to ensure reliable, efficient, and scalable power solutions for remote base ...

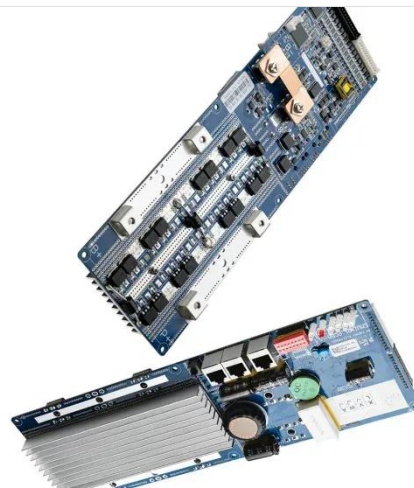


Can I install a communication base station inverter upstairs and

The inverter (s) must be installed on a structure with a load-bearing capacity of >4 times the inverter weight. Install the inverter vertically or at a minimum back tilt of 10°.

Communication base station inverter grid connection process

While maximizing power transfer remains a top priority, utility grid stability is now widely acknowledged to benefit from several auxiliary services that grid-connected PV inverters may offer.



How to install a communication base station inverter upstairs



and

Learn about inverter wiring for home, including proper installation techniques, safety precautions, and best practices for connecting your inverter to your electrical system.

Communication base station inverter grid-connected installation ...

The wireless communication module can be connected to the inverter through the standard RS485 interface, thereby obtaining inverter running data. The running data is transmitted to



Contact Us

For catalog requests, pricing, or partnerships, please visit:
<https://www.kidsandparents.pl>

