

Can photovoltaic panels increase in stock price



Overview

In recent months, solar panel prices have experienced a notable increase after reaching a low point. This shift is influenced by various factors, including international market dynamics and domestic policy changes. Though prices are rising, they remain relatively affordable compared to historical. If you're a believer in the future of solar power and can look past the recent volatility from rising energy prices, Forbes Advisor would like to share with you what we believe are among the best solar power stocks to consider right now. To address the user's query about solar PV panel price trends, I need to gather recent and historical pricing data, identify factors influencing price changes, and consult authoritative sources such as industry reports, market analysis, and platforms tracking renewable energy product prices. Is this price hike a sign of a shift in supply and demand dynamics, or is it a "test" by. Skip to navigation Skip to main content Skip to right column News Today's news US Politics 2025 Election World Weather Climate change Health Wellness Mental health Sexual health Dermatology Oral health Hair loss Foot health Nutrition Healthy eating Meal delivery Weight loss Vitamins and.

Can photovoltaic panels increase in stock price



Solar photovoltaic panel prices

Due to limited data availability, we use the Global Price Index series reported by IRENA, based on pvXchange benchmark prices for modules sold in Europe. Historical prices have been ...

Solar panel prices surge again--discover the reasons and future trends

In recent months, solar panel prices have experienced a notable increase after reaching a low point. This shift is influenced by various factors, including international market dynamics and ...



- ✓ ALL IN ONE
- ✓ 100Kw/174Kwh High Capacity
- ✓ Intelligent Integration

Solar PV Panel Price Trends 2025: Market Shifts & Efficiency Insights

Explore 2025 solar PV panel price trends driven by tariffs and monocrystalline demand. Discover seasonal buying patterns and cost strategies. Click for actionable market analysis.

PV spot price

Learn about photovoltaic panel price trends and solar panel costs with our comprehensive market analysis.

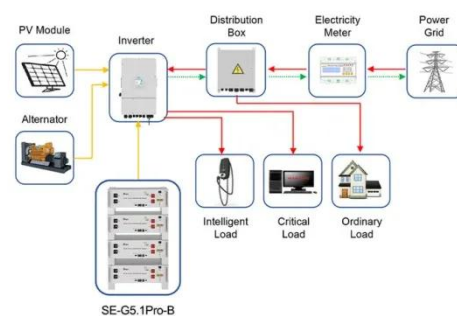


Solar Panel Prices Are Rising Again. Here's Why, and What May Be ...

Somewhere in the tumult of the global economy in recent months, solar panel prices hit bottom and then began to rise. The oversupply that helped to push prices down last year has eased ...

When will the price of solar panels increase? , NenPower

While accurately predicting when solar panel prices will rise remains challenging, several indicators can provide insights. Generally fluctuating demand for renewable energy, ongoing global ...



Application scenarios of energy storage battery products

Best Solar Power Stocks - Forbes Advisor



Solar stocks have a lot of long-term potential in the age of climate change. Currently, less than 4% of all U.S. power generation comes from solar, so there's plenty of room for growth in the

Will Solar Panel Prices Increase in 2025? Or Is It a "False Rebound"?

DeepSeek's viewpoint: The price increase may be a "false alarm," and market prices are still in negotiation, with actual transaction prices unlikely to rise significantly!



Solar Stock Performance

Yahoo Finance's Solar performance dashboard help you filter, search & examine stock performance across the Solar industry at large.

Contact Us

For catalog requests, pricing, or partnerships, please visit:

<https://www.kidsandparents.pl>

