

Classification of solar panels for solar container communication stations



Overview

The primary type of solar panels utilized on containers are monocrystalline and polycrystalline panels, 2. Monocrystalline panels are favored for their higher efficiency and space-saving attributes, 3. What are solar panels on shipping containers?

Solar panels on shipping containers provide an. What kind of solar panels are used on containers?

Containerized shipping has become a pivotal element in global trade, with a growing trend in the incorporation of renewable energy solutions to power these mobile structures. Fast deployment in all climates. Their size and number vary depending.

Classification of solar panels for solar container communication sta

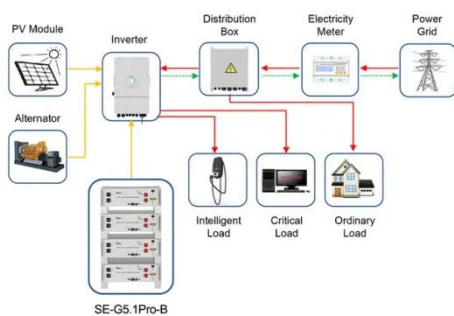


Analysis table of solar container potential of communication base ...

This paper examines solar energy solutions for different generations of mobile communications by conducting a comparative analysis of solar-powered BSS based on three

What kind of solar panels are used on containers? , NenPower

When considering solar technology for containers, it is essential to evaluate the available options. Two predominant types are monocrystalline and polycrystalline solar panels. Each exhibits ...



Application scenarios of energy storage battery products

How to Choose the Right Solar Containerized Energy Unit

Learn how to choose the right solar containerized energy unit based on your energy needs, battery size, certifications, and deployment conditions. A practical guide with real examples ...

Why don't solar container communication stations use solar

What are the different types of solar energy containers? Solar Panels: The foundation of solar energy containers, these panels utilize photovoltaic cells to convert sunlight into electricity. Their size and ...



Laminated solar panels for container communication stations

Modular solar power station containers represent a revolutionary approach to renewable energy deployment, combining photovoltaic technology with standardized shipping

Standards and specifications for the classification of solar ...

The latest reference standards for solar container power stations This article breaks down 2024's key specifications, safety protocols, and performance benchmarks - complete with real-world data - to ...



Public solar container

communication station inverter grid ...



- ✓ 100KWH/215KWH
- ✓ LIQUID/AIR COOLING
- ✓ IP54/IP55
- ✓ BATTERY 6000 CYCLES

In the report, the communication and control system architecture models to enable distributed solar PV to be integrated into the future smart grid environment were reviewed.

Solar container communication station solar panel solar energy ...

High-efficiency Mobile Solar PV Container with foldable solar panels, advanced lithium battery storage (100-500kWh) and smart energy management. Ideal for remote areas, emergency rescue and ...



Contact Us

For catalog requests, pricing, or partnerships, please visit:
<https://www.kidsandparents.pl>

