

Comparison of prices for large energy storage cabinets



Overview

The average cost per watt for energy storage cabinets can range broadly from \$200 to \$800. Factors such as technology type, brand reputation, system capacity, and regional pricing dynamics contribute to this variance. Whether you're planning a solar integration project or upgrading EV infrastructure, understanding DOE's Energy Storage Grand Challenge supports detailed cost and performance analysis for a variety of energy storage technologies to accelerate their development and deployment The U. This guide presents cost and price ranges in USD to help plan a budget and compare quotes. As the sector matures, selecting the right vendor becomes critical for utilities, OEMs, and integrators aiming to optimize their energy storage deployments. If you're searching for a large energy storage system price list, you're likely either an engineer planning a grid-scale project, a business owner optimizing energy costs, or a curious clean-tech enthusiast.

Comparison of prices for large energy storage cabinets



I& C Energy Storage Solution

As a professional manufacturer in China, produces both energy storage cabinets and battery cell in-house, ensuring full quality control across the entire production process. Our Industrial and ...

Energy Storage Cost and Performance Database

DOE's Energy Storage Grand Challenge supports detailed cost and performance analysis for a variety of energy storage technologies to accelerate their development and deployment.



Top Energy Storage Cabinet Companies & How to Compare Them ...

By 2026, the energy storage cabinet landscape is expected to see increased consolidation, with larger players acquiring niche innovators to expand their portfolios. Pricing will ...

Large Energy Storage System Price List: What You Need to Know in ...

If you're searching for a large energy storage system price list, you're likely either an engineer planning a grid-scale project, a business owner optimizing energy costs, or a curious clean ...

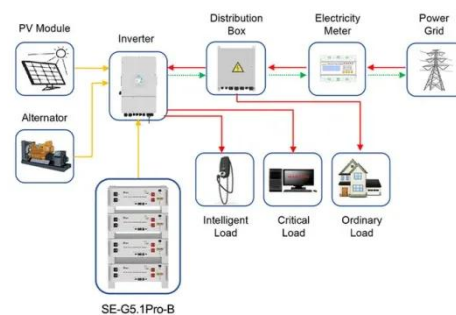


Price Ranking of Household Energy Storage Systems: A 2024 Buyer's ...

This comprehensive guide analyzes price rankings of household energy storage solutions while revealing cost-saving strategies and market trends. Discover how system capacity, brand value, and ...

New Energy Storage Charging Cabinet Price List: 2024 Cost Guide

GLASHAUS POWER - Wondering how much a modern energy storage charging cabinet costs? This comprehensive guide breaks down pricing factors, industry benchmarks, and emerging trends for ...



Application scenarios of energy storage battery products

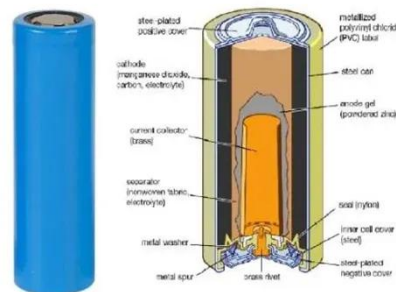
Energy Storage Cabinet Price and Profit Calculation: A ...



Looking to invest in energy storage cabinets but unsure about costs and ROI? This article breaks down pricing factors, profit calculation methods, and industry trends to help businesses make informed ...

Battery Energy Storage System Cost Guide for Buyers 2026

This guide presents cost and price ranges in USD to help plan a budget and compare quotes. The information focuses on installed costs, including hardware, labor, and soft costs.



How much does the energy storage cabinet cost per watt?

In summary, understanding the costs associated with energy storage cabinets entails a multifaceted analysis of technology, installation, long-term benefits, and financing options.

Understanding the Pricing Dynamics of Large Energy Storage Cabinets

What's Driving the Price Fluctuations?

Ever wondered why energy storage cabinet prices feel like riding a rollercoaster? Let's break it down. The current market shows dramatic variations, with industrial ...



Contact Us

For catalog requests, pricing, or partnerships, please visit:
<https://www.kidsandparents.pl>

