

# Containerized electrical solar energy storage



## Overview

---

A Containerized Energy Storage System (ESS) is a modular, transportable energy solution that integrates lithium battery packs, BMS, PCS, EMS, HVAC, fire protection, and remote monitoring systems within a standard 10ft, 20ft, or 40ft ISO container. LZY offers large, compact, transportable, and rapidly deployable solar storage containers for reliable energy anywhere. Engineered for rapid deployment, high safety, and. A solar power container is a self-contained, portable energy generation system housed within a standardized shipping container or custom enclosure. These systems store extra energy so it can be used later. 2% CAGR through 2030, with containerized solutions leading this transformation.

## Containerized electrical solar energy storage

---



### What is a Containerized Energy Storage System?

A containerized energy storage system is more than just a battery--it's a versatile, intelligent energy platform that drives down costs, increases reliability, and supports sustainability ...

---

### Solar Power Container: Complete Guide to Portable Solar Energy ...

Comprehensive guide to solar power containers covering system components, applications, sizing, installation, costs, and benefits for off-grid power, emergency backup, and ...

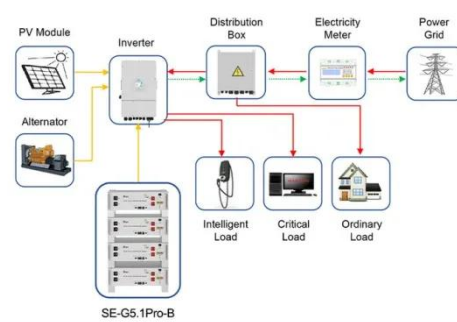


### Off-Grid Solar Storage Systems: Containerized Solutions for Reliable

Explore the benefits and technology behind containerized off-grid solar storage systems. Learn how these scalable, cost-efficient solutions provide reliable power and energy independence ...

## Energy Storage Container for Modular Solutions , Enerbond

Whether you're integrating renewables, stabilizing your operations, or seeking cleaner alternatives to diesel, Enerbond's containerized energy storage solutions are built to meet your ...



Application scenarios of energy storage battery products



## 2025 Guide: Containerized Energy Storage Systems for Scalable ...

What is a Containerized Energy Storage System? A Containerized Energy Storage System (ESS) is a modular, transportable energy solution that integrates lithium battery packs, BMS, ...

## Containerized Energy Storage: Scalable, Flexible, and Sustainable Power

Dorce Prefabricated Construction designs and manufactures customized containerized energy storage units, delivering turnkey solutions for clients in renewable energy, oil & gas, industrial, defense, and ...



## What Is a Container Energy Storage System?



What is a Containerized Energy Storage System? A containerized BESS is a fully integrated, self-contained energy storage solution housed within a standard shipping container.

---

## Containerized Solar Energy Storage: The Future of Scalable ...

Discover how containerized solar energy storage systems are revolutionizing industrial and commercial power management while addressing global energy challenges.



---

## Solar Container , Large Mobile Solar Power Systems

LZY mobile solar systems integrate foldable, high-efficiency panels into standard shipping containers to generate electricity through rapid deployment generating 20-200 kWp solar arrays, reducing reliance ...

---

## Optimizing Solar Power Efficiency with Containerized Battery Energy

Learn how containerized BESS optimizes solar energy storage, boosts renewable energy use, reduces waste, and ensures stable power for businesses and homes.



---

## Contact Us

---

For catalog requests, pricing, or partnerships, please visit:  
<https://www.kidsandparents.pl>

