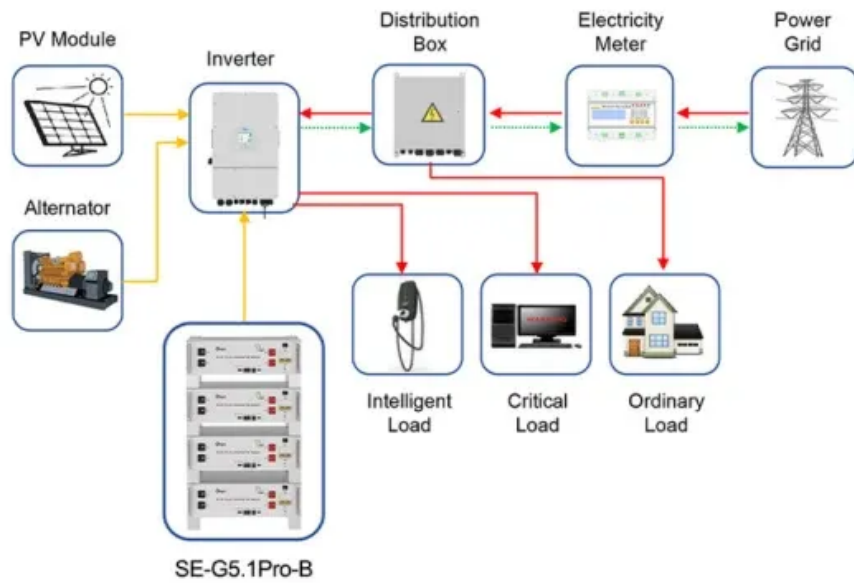


Converter to sine wave inverter



Application scenarios of energy storage battery products



Converter to sine wave inverter

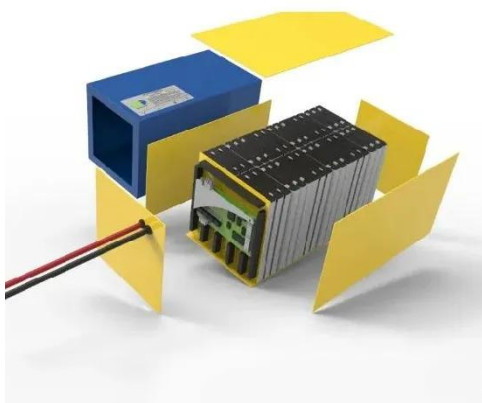


How to Convert an Inverter to Sine Wave: A Step-by-Step Guide for

This guide explains practical methods to convert existing inverters to produce clean sine wave output - a critical upgrade for anyone working with renewable energy storage solutions.

How To Convert An Inverter With Square Wave To Sine Wave?

In this video, I will show you how to convert (modify) an inverter with its square wave output to sine wave output: By adding an inductor and a capacitor to make up a low pass filter



2000 Watt Continuous/4000 Watt Peak Modified Sine Wave Power Inverter

The inverter converts the DC (direct current) power source into an AC (alternating current) power source. Do I need a Modified Sine Wave inverter or Pure Sine Wave Inverter? Understanding the ...

Best Pure Sine Wave Inverters and Sustainable Brands to Know

Discover how pure sine wave inverters work, why they're essential for clean power, and which sustainable brands offer the best options for you.



Convert a Square Wave Inverter into a Sine Wave Inverter

Difference Between Square Wave and Sine Wave
 How to Convert/Modify A Square Waveform to Sine Waveform
 Equivalent Converting Into An SPWM
 How to Calculate The Part Values
 In the above article I have explained how the waveform of a square wave inverter could be optimized for getting a sine wave kind of waveform by chopping the square wave into smaller sections. However a deeper analysis shows that unless the chopped waveform is not dimensioned in the form of SPWMs, achieving a proper sinewave equivalent may not be possible. See more on homemade-circuits.com or glashaus.cc

How to Convert an Inverter to Sine Wave: A Step-by-Step Guide for

This guide explains practical methods to convert existing inverters to produce clean sine wave output - a critical

upgrade for anyone working with renewable energy storage solutions.

Reliable Pure Sine Wave Inverter Selection

Learn how to choose, install, and use pure sine wave inverters to protect your electronics and keep everything running during blackouts and off-grid adventures.



Convert a Square Wave Inverter into a Sine Wave Inverter

In this post I have explained a few circuit concepts which can be employed for converting or modifying any ordinary square wave inverter to sophisticated sine wave inverter design.

The Best Pure Sine Wave Inverters (2025) , Today's Homeowner

Explore the best pure sine wave inverters for reliable power conversion and compatibility with solar systems to meet your energy needs.



Amazon : Pure Sine Wave Inverter



Renogy Inverter P2 3000W Pure Sine Wave Inverter 12V DC to 120V AC Converter for Home, RV, Truck, Camping, Trailer, with Wired Remote Controller, Support Li, AGM, SLD, GEL, FLD Batteries

Renogy 1000-Watt Pure Sine Wave Inverter 12V DC to 120V AC Converter

Many off-grid systems require a 12V solar inverter to run everyday electronics. Most grid-tied systems must use pure sine wave inverters because utilities deliver pure sine waves.



4000W 8000W Modified Sine Wave Power Inverter DC 12V to AC ...



Buy 4000W 8000W Modified Sine Wave Power Inverter DC 12V to AC 110V Converter with 4AC+USB, LCD Display, Remote Control for Car, RV, Camping & Home Backup Black at Walmart

Contact Us

For catalog requests, pricing, or partnerships, please visit:
<https://www.kidsandparents.pl>

