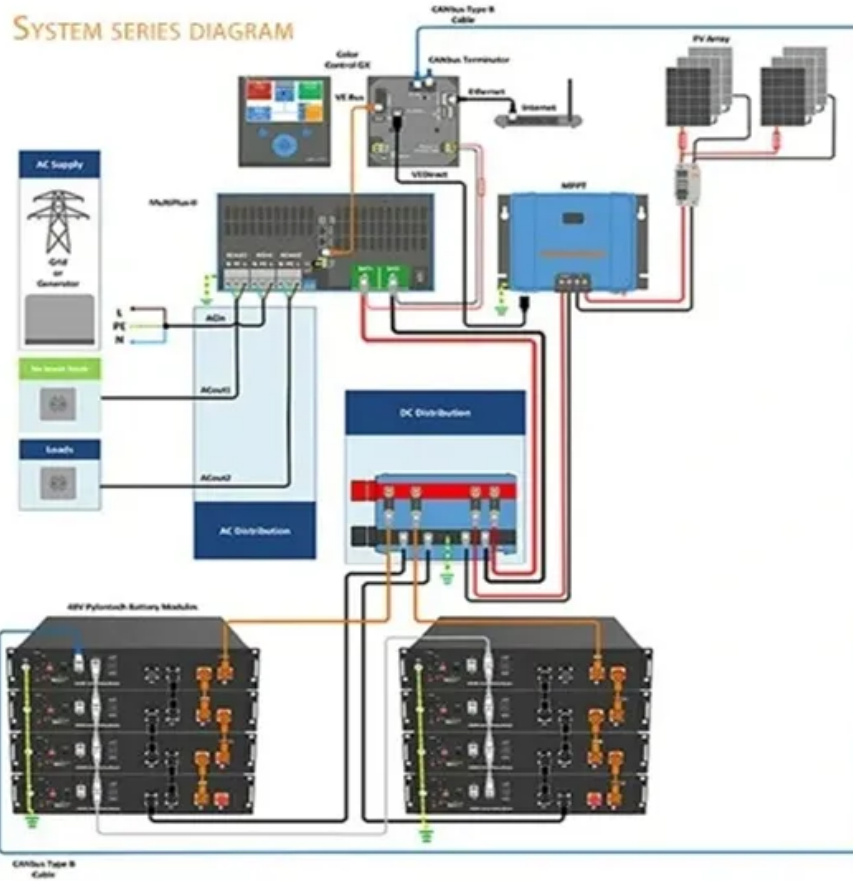


# Cook islands photovoltaic energy storage cabinet 1mw



## Cook islands photovoltaic energy storage cabinet 1mw

---



### Cook Islands Energy Storage Container Factory: Powering ...

From hurricane-prone atolls to eco-resorts, the Cook Islands Energy Storage Container Factory delivers resilient power solutions combining military-grade durability with smart energy management.

---

### PHOTOVOLTAIC ENERGY STORAGE SYSTEM IN THE COOK ...

What is a lithium battery energy storage system? Energy Storage System A sophisticated lithium battery energy storage system with an expandable range of 100-500kWh can accommodate excess solar ...



### PHOTOVOLTAIC ENERGY STORAGE SYSTEM IN THE COOK ...

On J, a complete residential energy storage system comprising a 30 kWh GSL energy storage battery, a 15 kW Solis inverter, and solar photovoltaic panels was successfully installed in ...

## Cook islands energy storage

Pacific Renewable Energy Investment Facility (Cook Islands: Rarotonga Battery Storage Supply Systems) Prepared by the Ministry of Finance and Economic Management, Government of Cook ...



## Solar Energy and Batteries Cook Islands

The Cook Islands in the Pacific will host a 5.6MWh lithium-ion battery energy storage system for the integration of renewables, in a project funded by the Asian Development Bank, ...

## COOK ISLANDS NEW ENERGY BATTERY CABINET ...

The new Belize Energy Resilience and Sustainability Project will deploy state-of-the-art battery energy storage systems across four strategic locations in the country, marking a significant step forward in ...



## Renewable energy in the Cook Islands

Since 2011 the Cook Islands has embarked on a programme of renewable

energy development to improve its energy security and reduce greenhouse gas emissions, [1] with an initial goal of reaching ...



---

## Can energy storage cabinets be installed in the Cook Islands

Mpower has been awarded the contract to build a large-scale energy storage system in Rarotonga, the capital of the Cook Islands. Mpower will design and install a 5.6 MWh Battery Energy Storage ...



---

## Energy Storage & Solar Solutions for the Cook Islands: Reliable ...

That's the reality for many in the Cook Islands, where imported fossil fuels power 90% of electricity generation. But here's the game-changer: photovoltaic (PV) systems with energy storage can slash ...

---

## How Cook Islands Energy Storage Technology Limited Is

## Powering a

With plans to deploy floating solar-plus-storage platforms in the lagoon waters, this company isn't just keeping lights on - they're redefining what's possible for island nations worldwide.



---

## Contact Us

For catalog requests, pricing, or partnerships, please visit:  
<https://www.kidsandparents.pl>

