

Cost of a large-scale energy storage cabinet for african farms



Cost of a large-scale energy storage cabinet for african farms



East Africa Integrated Energy Storage Cabinet Custom Price: A

East Africa faces unique energy challenges: inconsistent grid access, rising demand for renewable energy integration, and frequent power outages. Integrated energy storage cabinets (IESCs) have ...

Enershare's EnerBrick outdoor energy storage cabinet solves

Enershare's EnerBrick outdoor energy storage cabinet is rewriting the rules of energy with its "black technology" attitude - two devices can support the stable power supply of the entire park, ...

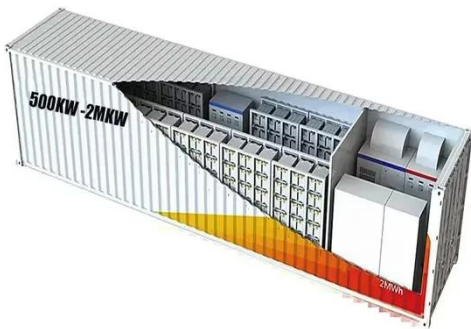


Africa: Demand up for solar coupled with energy storage systems

The report noted that JA Solar, a global leader in the PV industry, recently launched its first shipment of energy storage systems to Africa. The "BluePlanet" liquid-cooled storage cabinets, ...

How much does a network battery cabinet cost , EQACC SOLAR

How much does a commercial battery energy storage system cost? Average Installed Cost per kWh in 2025 In today's market, the installed cost of a commercial lithium battery energy storage system -- ...



Price of Energy Storage Equipment for Breeding Farms: Key ...

Understanding energy storage equipment prices for breeding farms requires evaluating technical specifications, operational needs, and long-term savings. With proper planning, these systems can ...

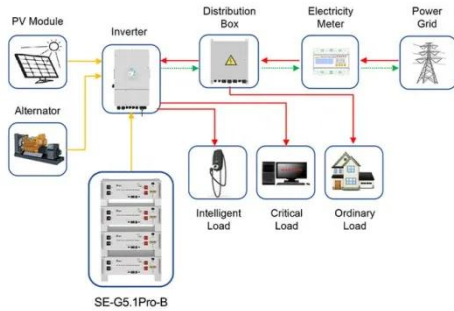
Energy Storage Cabinet Construction Cost: Key Factors and ...

Summary: This article breaks down the critical factors affecting energy storage cabinet construction costs, compares budget ranges for different project scales, and shares practical cost-saving ...

- LiFePO₄
- Wide temp: -20°C to 55°C
- Easy to expand
- Floor mount&wall mount
- Intelligent BMS
- Cycle Life:≥6000
- Warranty :10 years



Africa's solar market will surge 42% by 2025! JNTech high ...



Application scenarios of energy storage battery products

JNTech's innovative energy storage solutions help break through financing bottlenecks and light up a zero-carbon future JNTech's solar + storage system powers a remote village in ...

'Energy storage boom' in Africa from 31MWh in ...

Africa's energy storage market has boomed since 2017, rising from 31MWh to 1,600MWh in 2024, according to trade body AFSIA Solar.



Smart Energy Storage Cabinets for Africa's Renewable Future

Why Africa Can't Afford Traditional Power Solutions Did you know 600 million Africans lack reliable electricity access despite the continent's solar potential? The old grid systems just aren't cutting it ...

ENERGY STORAGE TECHNOLOGY AND COST ASSESSMENT

Large-scale photovoltaic power station

energy storage technology Energy storage can play an essential role in large scale photovoltaic power plants for complying with the current and future standards (grid ...



Contact Us

For catalog requests, pricing, or partnerships, please visit:
<https://www.kidsandparents.pl>

