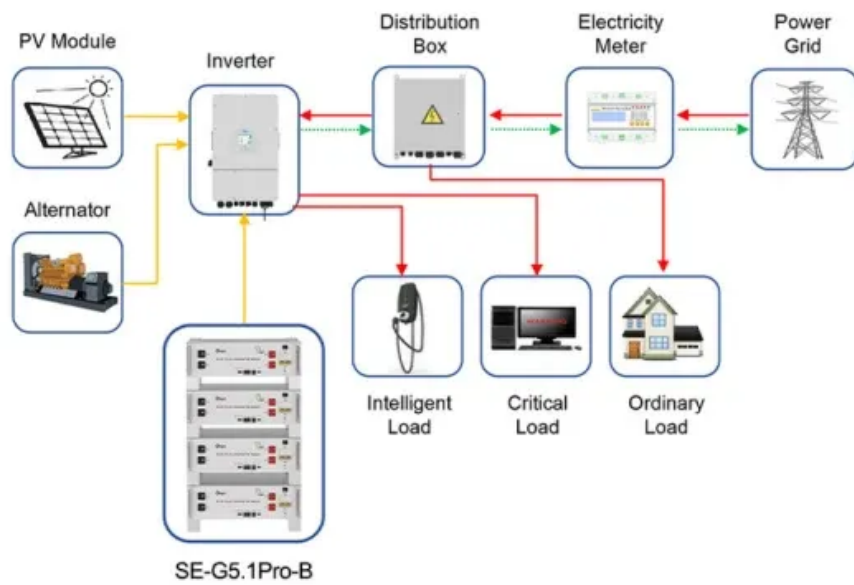


Cost of hanging energy storage box shell



Application scenarios of energy storage battery products



Overview

A solar cell box shell typically costs between \$50 and \$500, depending on numerous factors such as material quality, manufacturer reputation, and specific design requirements. Material choice significantly impacts pricing. A small home energy storage system with a capacity of around 5 - 10 kilowatt - hours (kWh) can cost anywhere from \$5,000 to \$10,000, including installation. This might be suitable for a small home or an apartment. While on-the-surface costs like equipment and installation are apparent, there are several hidden expenses that can dramatically affect the overall budget. This. DOE's Energy Storage Grand Challenge supports detailed cost and performance analysis for a variety of energy storage technologies to accelerate their development and deployment The U.

Cost of hanging energy storage box shell

Support Customized Product



Energy Storage Cabin Quotation: Your Ultimate Guide to Costs

Remember, today's energy storage cabin quotation isn't just a price - it's a roadmap for energy independence. As one grid operator joked: "Buying storage cabins without upgrade options is ...

How much does the installation of energy storage systems typically cost

The installation of energy storage systems typically costs between \$5,000 to \$15,000 for residential applications, and \$100,000 to \$1 million for commercial setups, influenced by various ...



Energy Storage Cost and Performance Database

Additional storage technologies will be added as representative cost and performance metrics are verified. The interactive figure below presents results on the total installed ESS cost ranges by ...

How to Calculate the Cost of Energy Storage Container Power ...

Planning an energy storage project? Learn how to break down costs for containerized battery systems - from hardware to hidden fees - and discover why 72% of solar+storage projects now prioritize ...



How to Quote Energy Storage Container Shells Like a Pro (Without ...)

Ever tried pricing a chameleon? That's essentially what you're doing when quoting energy storage container shells. These steel-clad shape-shifters range from basic \$9,000 units to ...

What is the cost of installing an energy storage system from ESS?

While on-the-surface costs like equipment and installation are apparent, there are several hidden expenses that can dramatically affect the overall budget. This article will delve into these different ...



Power Conversion System

- Single-stage three-level modularization
- Multi-branch input to reduce battery series and parallels connection



How much does a solar cell box shell cost , NenPower

A solar cell box shell typically costs between \$50 and \$500, depending on numerous factors such as material quality, manufacturer reputation, and specific design requirements.

How much does a battery energy storage box cost? , NenPower

The cost of a battery energy storage box typically ranges from \$5,000 to \$15,000, depending on several factors including capacity, brand, and installation requirements.



What are the installation costs of a home energy storage system?

In conclusion, the installation costs of a home energy storage system can vary widely, but with the right information and guidance, you can make an informed decision that suits your budget and energy needs.

The Cost of Home Energy Storage Systems: A Complete

Guide

The cost of a home energy storage system can vary widely based on several factors. On average, you can expect to pay between \$5,000 and \$15,000 for a good system.



Contact Us

For catalog requests, pricing, or partnerships, please visit:
<https://www.kidsandparents.pl>

