

Do photovoltaic panels block light



Overview

Well, the short answer is yes. but not in the way most people think. Solar panels do intercept sunlight, but here's the kicker—they're designed to harvest light energy, not completely block it. There are many situations in which solar panels may not get direct sunlight. They may be covered by shade from surrounding buildings or trees, are turned away from the sun, or are simply affected by weather conditions like clouds, rain, or snow. Even though this is a big drop, it doesn't mean that cloudy days are useless for solar cells. If solar is a good. Dusty solar panels on the roof of University in Gandhinagar, India, sparked an idea to investigate the effect of dirt on the efficiency of solar panels. Panels actually work more efficiently in cool, cloudy weather than on hot sunny days. The National Renewable Energy Laboratory (NREL) develops standardized industry-quality tests to assure solar panels. Let's cut to the chase—when we install photovoltaic panels, are we essentially creating high-tech sun umbrellas?

Well, the short answer is yes.

Do photovoltaic panels block light

- ✓ LIQUID/AIR COOLING
- ✓ INTELLIGENT INTEGRATION
- ✓ PROTECTION IP54/IP55
- ✓ BATTERY /6000 CYCLES



Do Solar Panels Work Without Direct Sunlight? , Cloudy Day Efficiency

One of the most common questions homeowners and businesses ask before switching to solar is, "Do solar panels need direct sunlight to work?" The short answer: no, but it helps.

Do Solar Panels Need Direct Sunlight? The Facts Explained

Yes, solar panels can operate without direct sunlight by capturing diffuse sunlight. In cloudy weather, solar panels still generate electricity, albeit less efficiently. The cloud cover scatters sunlight, ...

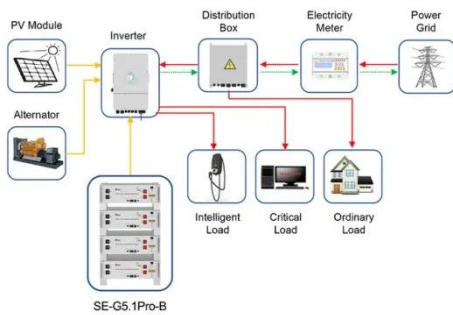


Do Solar Panels Need Direct Sunlight To Work?

Explore whether solar panels require direct sunlight to function efficiently, examining alternative light sources and their effectiveness.

How Do Solar Panels Work In Shade Or Bad Weather?

While it can block the panels from receiving solar rays, it usually melts off quickly because the panels are pointed directly at the sun.



Application scenarios of energy storage battery products

Why Do Solar Panels Absorb Mostly Visible Light (Not ...

Solar panels absorb visible light because silicon's bandgap matches photon energy. Learn why UV and infrared light don't work as efficiently.

Do Solar Panels Need Direct Sunlight To Work?

Yes, solar can work without direct sunlight - but there is a catch. Here is how shading, cloudy weather, rainy days, and snow affect solar panel performance.



Do Solar Panels Work When Partially Shaded?

The study came to the surprising conclusion: air pollutants deposited on solar panels can decrease the amount of



produced energy by more than 25 percent simply by obstructing the direct

...

Do Solar Panels Need Direct Sunlight? The Truth Exposed

The short answer is no -- solar panels don't need direct sunlight to function. What they actually rely on are photons, the tiny particles of light that hit the panel's surface and generate electricity.



Solar Panels Cloudy Days: How They Really Work

While less powerful than direct sunlight, modern solar panels effectively capture this scattered light. On cloudy days, nearly all the energy that reaches your panels is diffuse radiation. ...

Do Photovoltaic Panels Block the Sun? The Surprising Truth About ...

1. The Burning Question: Do Solar Panels

Steal Sunlight? Let's cut to the chase--when we install photovoltaic panels, are we essentially creating high-tech sun umbrellas? Well, the short answer is ...



Contact Us

For catalog requests, pricing, or partnerships, please visit:
<https://www.kidsandparents.pl>

