

# Do photovoltaic panels emit radiation when placed in the ground



## Overview

---

No, solar panels do not emit harmful radiation that poses a risk to human health or the environment. They primarily absorb sunlight and convert it into electricity, functioning more like giant light absorbers than emitters. However, while the EMF radiation levels given off by solar panels has been marked as safe, those who are sensitive to EMF radiation may still be affected by it. I have to. Electromagnetic radiation refers to the process by which electromagnetic waves spread outward in the form of waves. These waves include radio waves, microwaves, infrared, visible light, ultraviolet rays, X-rays, gamma rays, and more, spanning a wide range of frequencies from low to high.

## Do photovoltaic panels emit radiation when placed in the ground

---



### EMF Radiation From Solar Panels (& Dirty Electricity)

Solar panels do emit EMF radiation to some degree except at night or when not in use. However, while the EMF radiation levels given off by solar panels has been marked as safe, those who are sensitive to EMF radiation ...

---

### Do Solar Panels Emit Radiation?

Reality: Solar panels do not emit any form of radiation. They generate electricity through a non-radioactive process by converting sunlight into a usable electrical current.



### Do Solar Panels Emit Radiation? - The Institute for Environmental

No, solar panels do not emit harmful radiation that poses a risk to human health or the environment. They primarily absorb sunlight and convert it into electricity, functioning more like giant light ...

## Do solar panels emit harmful radiation for living beings?

Solar panels and photovoltaic systems in general do not emit radiation that is harmful to health. Their design, along with current regulations, ensures safe operation.



## Do Solar Panels Emit Harmful EMF? Understanding the Facts

Solar panels do not emit harmful ionizing radiation. The low-level EMF they produce is comparable to everyday household devices. EMF levels drop significantly with distance and are minimal inside buildings. ...

## Do Solar Panels Emit Radiation? EMF Facts & Safety Guide

The confusion often stems from mixing up different types of radiation. Solar panels don't emit the dangerous ionizing radiation that causes cancer. Instead, they create weak electromagnetic fields similar to ...



 LFP 48V 100Ah

## A Comprehensive Analysis of Whether Photovoltaic Systems

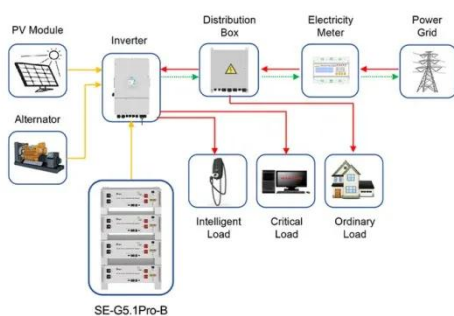
## Emit Radiation



This article provides a thorough analysis of electromagnetic radiation in photovoltaic systems, addressing health concerns. It compares the radiation levels of PV systems with household appliances, ...

## Radiation and Solar Panels: What Homeowners Should Know

The short answer is no. Solar installations do not emit dangerous ionising radiation. Instead, what they do generate is extremely low levels of electromagnetic fields (EMFs).



Application scenarios of energy storage battery products

## Do Solar Panels Emit Radiation? Safety Insights for Homeowners

Solar panels produce minimal electromagnetic fields (EMF) - far below international safety thresholds. This article breaks down the science, addresses myths, and provides actionable safety tips.

## Do Solar Panels Emit Radiation - The Complete Guide

Although solar panels do emit EMF radiation, it is quite small, and likely not dangerous. The real issue is that the solar panel system, or photovoltaic system, creates dirty electricity that ultimately radiates ...



---

## Contact Us

For catalog requests, pricing, or partnerships, please visit:  
<https://www.kidsandparents.pl>

