

# Do photovoltaic panels have to be exposed to direct sunlight



## Overview

---

Solar panels do not need direct sunlight to work. Even when the sky is cloudy, rainy, or snowy, panels still generate electricity. How do these conditions affect photovoltaic (PV) solar panel systems?

When deciding whether to install solar panels. While direct sunlight is preferable, solar panels can still function under challenging weather conditions like clouds, snow, and rain. However, these elements can reduce energy production.

## Do photovoltaic panels have to be exposed to direct sunlight

---

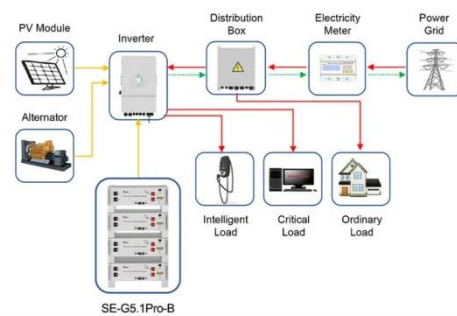


### Do Sun Panels Need Direct Sunlight to Operate

No, solar panels don't require direct sunlight to operate--but here's what they do need. Imagine installing solar panels on your roof, only to worry that a single cloud could shut them down. ...

### Do Solar Panels Need Direct Sunlight? The Truth Exposed

The short answer is no -- solar panels don't need direct sunlight to function. What they actually rely on are photons, the tiny particles of light that hit the panel's surface and generate electricity.



Application scenarios of energy storage battery products



### Do Solar Panels Need Direct Sunlight or Just Light?

Photovoltaic cells are designed to capture a broad spectrum of light, meaning that even photons scattered multiple times on a completely overcast day are still usable energy. This explains ...

## Do Solar Panels Need Direct Sunlight? No But It Matters (Big Time)

Do solar panels need direct sunlight to optimize efficient power generation? The answer is no...but there's a catch or two. Solar panels require at least four hours of direct contact with sunlight ...



## Do Solar Panels Need Direct Sunlight , Just Solar

While direct sunlight is preferable, solar panels can still function under challenging weather conditions like clouds, snow, and rain. However, these elements can reduce energy ...

## Do Solar Panels Need Direct Sunlight to Work?

In conclusion, solar panels function best when they are directly exposed to sunlight; however, direct sunlight is not necessary to generate energy. Solar panels can produce energy when ...



## Do Solar Panels Need Direct Sunlight: A Clear, Simple Guide

Solar panels don't need direct sunlight to be effective; they just need daylight. Even under clouds, shade, or light rain,

they continue producing usable energy.



## Do Solar Panels Need Direct Sunlight To Work

Solar panels don't need direct sunlight to work. However, they can only produce their rated output under direct sunlight. For example, a 100W solar panel will only produce 100 Watts of ...



## Do Solar Panels Need Direct Sunlight To Work?

Solar panels do not need direct sunlight to work. Most rooftop solar panels start producing electricity shortly after sunrise on a clear day. However, the amount of power produced by a solar panel is ...



## Do Solar Panels Need Direct Sunlight? , Angi

Solar panels convert sunlight into solar energy that homes and buildings can use. While they work best under direct

sunlight, they still generate electricity in the shade and on cloudy days. ...



---

## Contact Us

---

For catalog requests, pricing, or partnerships, please visit:  
<https://www.kidsandparents.pl>

