

# Does Incore have photovoltaic energy storage



## Overview

---

The site does not have an existing solar PV system and/or energy storage technology installed. These residential programs typically run from February through November each year. Energy storage has a critical role to play in. Vermont Business Magazine Encore Renewable Energy, a leading renewable energy developer and operator backed by SUSI Partners, announced the closing of a \$389 million financing solution from Brookfield, through its infrastructure debt platform. This transaction will accelerate Encore's growth as an. Beginning 2024, Oncor's solar incentive programs are two separate programs: The photovoltaic standard offer program for residential solar projects and the Commercial Solar Option in the Commercial Standard Offer Program for commercial solar projects. Our vertically integrated manufacturing, financial stability, and operational efficiency have. Oncor Electric Delivery is a transmission and distribution utility, meaning it maintains electrical equipment and the grid's transmission system, but is not responsible for electric rates. Texans looking to go solar must find a Retail Electric Provider to purchase electricity from that operates in.

## Does Incore have photovoltaic energy storage

---



### Should Texans Go Solar with Oncor Electric Delivery?

Switching to solar is especially great for Oncor customers who want to pair solar panels with a battery. The electric utility's solar incentive program can save you thousands of dollars on a solar-plus

...

---

### Encore Renewable Energy in Burlington lands financing for solar arrays

Encore specializes in developing and operating solar arrays and battery energy storage projects.

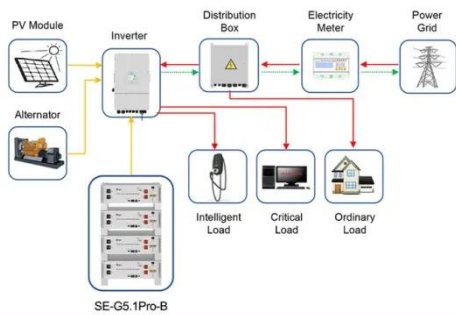


### Solar Integration: Solar Energy and Storage Basics

Solar power can be used to create new fuels that can be combusted (burned) or consumed to provide energy, effectively storing the solar energy in the chemical bonds.

## RESIDENTIAL SOLAR

Through the Residential Solar Program, qualifying customers can save on the installation of photovoltaic systems with energy storage back-up, through incentives Oncor pays to approved participating ...



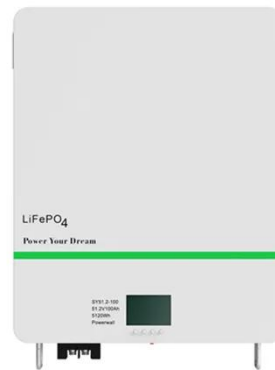
Application scenarios of energy storage battery products

## Energy Storage System Buyer's Guide 2025 , Solar Builder

By sourcing batteries separately, users can expand their energy storage capacity as needed without overhauling the entire system. This scalability makes it an ideal solution for both residential and light ...

## Energy Storage: Types, Solutions for Solar Systems , Encore

Because all energy, including solar, is intermittently generated, pairing a solar array with the appropriate energy storage system can allow for the deployment of clean energy up to 24 hours a day, 7 days a ...



## Jinko US - Solar + Storage From One Company



Jinko is a global industry leader, publicly listed on the New York Stock Exchange in 2010, and the PV module and energy storage manufacturer of choice for developers, EPCs, installers, and financiers.

---

## Encore Renewable Energy secures \$389 million financing solution to

This transaction will accelerate Encore's growth as an independent power producer ("IPP") by financing the construction of a portfolio of community-scale solar and battery energy ...



---

## Oncor Incentive Program 2025: Explained

In addition to the requirement that the solar energy system must be new, Oncor requires homeowners to install a battery power storage system with the solar panels.

---

## Solar Photovoltaic

The site does not have an existing solar PV system and/or energy storage technology installed. Additions to

existing systems are not eligible for the incentive regardless of the size of the ...



## Energy Storage: Types, Solutions for Solar Systems , Encore

Bluetti Power Station

## Contact Us

For catalog requests, pricing, or partnerships, please visit:  
<https://www.kidsandparents.pl>

