

Double glass with edge panel installation method



Double glass with edge panel installation method

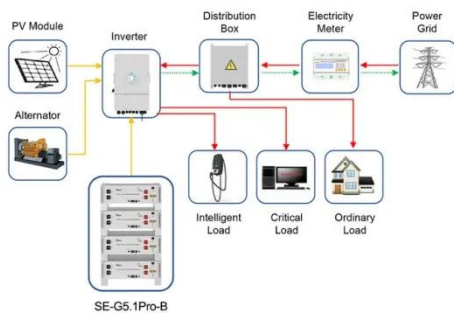
Installation guide for Project Fixed Glass Panels



Before beginning the installation, read all of the instructions and check that all parts are included. Toughened glass can be damaged or broken if the corners or edges of the glass come into contact ...

All you need to know about Glazing uPVC Frames

N.B. Adjustment of hardware should not be attempted until the frames and glass has been correctly packed and installed. All double and triple glazed units supplied by Easyfit Window Warehouse are ...



Application scenarios of energy storage battery products

How to Install a Double Pane Window

DIY guide to installing double pane windows for maximum energy efficiency. Learn critical steps: measurement, secure setting, and professional-grade sealing.

Glass Installation Guide

Any panels stored outside should be protected from inclement weather conditions. Place panels on hard, flat surfaces that are not subject to standing water. Glass panels should be stacked no more than ...



Replacement Double Panes For Doors and Windows FAQ

We offer replacement double-panes for doors and windows to fit any need and several price points. We always start with a free estimate, and advise on the best installation method for your unique situation.

How to Install Glass Window Pane , Step-by-Step Guide

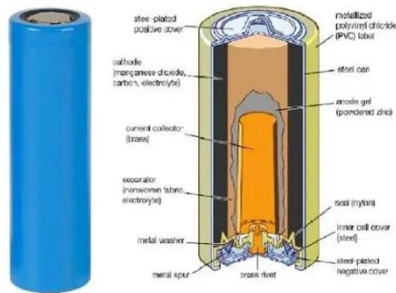
Learn how to install glass window panes with this easy, step-by-step guide. Save money and achieve professional results with our expert tips.



Installing Double Pane Windows In 6 Steps

Follow these instructions so you will have a successful do-it-yourself project.

Always measure your new window frame and the window opening to make sure the new double pane ...



How To Install Glass Panels

In this article, we will take you through the process how to install glass panels or glass installation methods, from preparing the site to finalizing the edges.



8 Easy Steps on How to Install Double Pane Window Glass

Step-by-step instructions on how to install double pane window glass, including preparation, material gathering, and detailed installation process.

How To Replace Insulating Glass

Introduction Don't put up with foggy or cracked double paned windows. You can replace them yourself and save the

major cost of professional repair. We show you three ways to take the ...



How To Replace Insulating Glass

Follow these instructions so you will have a successful do-it-yourself project. Always measure your new window frame and the window opening to ...

Contact Us

For catalog requests, pricing, or partnerships, please visit:
<https://www.kidsandparents.pl>

