

Effect of the New York Energy Storage Industrial Park Construction Project in the United States



Overview

More than 19 GW of battery energy storage projects are advancing through NYISO's reformed interconnection process, the first major test of its new cluster study. The shift to parallel advancement has concentrated competition and made project readiness a defining factor. QUEENS, NY —Today, New York City Economic Development Corporation (NYCEDC) and the New York City Industrial Development Agency (NYCIDA) announced the advancement of a key commitment in New York City's Green Economy Action Plan to develop a clean and renewable energy system. NYCIDA closed its. NYC Energy, LLC (NYC Energy), is developing a floating energy storage system (FESS) and associated onshore infrastructure in Brooklyn, Kings County, New York (Project). The Project consists of the FESS (three modified barges designed to house integrated stacked energy storage containers) that will. Enacted in 2018, Public Service Law (PSL) §74 directed the Public Service Commission (Commission) to establish a statewide energy storage goal and programs that will enable the State to meet such target by 2030. The NYC Department of Citywide Administrative Services (DCAS) makes city government work for all New Yorkers. By integrating market and qualitative research with quantitative analysis, the evaluation team identified how storage systems are.

Effect of the New York Energy Storage Industrial Park Construction



2025 STATEWIDE ENERGY STORAGE TARGET 1,500 MW ...

New York State mapped out how New York State will work to achieve this target in the New York State Energy Storage Roadmap.

Energy Storage Program

As New York continues to invest and build a cleaner grid, energy storage will allow us to use existing resources more efficiently and phase out the dirtiest power plants.

- LiFePO₄
- Wide temp: -20°C to 55°C
- Easy to expand
- Floor mount&wall mount
- Intelligent BMS
- Cycle Life:≥6000
- Warranty :10 years



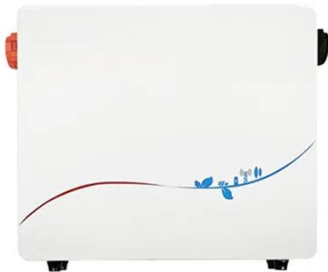
Strategic Guide to Deploying Energy Storage in NYC

The storage industry anticipates this to be passed into law in 2022, and that it will apply to projects that achieved commercial operation after Decem, reducing the risks and uncertainty in ...



IEPEC_2025_Meyyappan

This study provides key insights into how existing storage contributes to grid reliability and New York's emissions reduction goals, while highlighting gaps that can inform program design.



PSC Accepts Draft Environmental Impact Statement Regarding ...

PSC Accepts Draft Environmental Impact Statement Regarding Energy Storage Development in New York State Storage Deployments Expected to Reduce Projected Future Statewide Electric System ...

NYCEDC Advances Green Economy Action Plan with Support of ...

Unlocking additional storage capacity will ultimately underpin a stronger and more efficient renewable energy sector. IDA incentives may also be used to support electric vehicle freight ...



Support of Major Battery Energy Storage Project in New

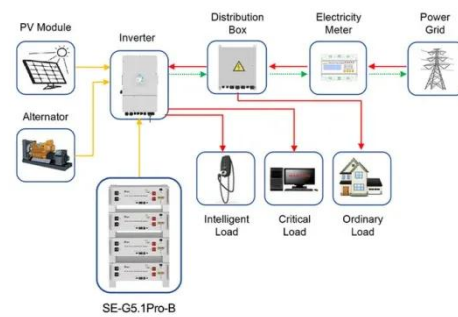
York City



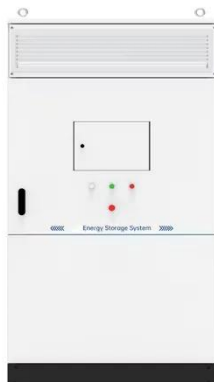
The IDA has supported approximately 254MW of battery storage capacity in New York City, generating more than \$400 million of private investment and supporting progress toward the ...

New York's battery buildout: What's driving development and value

The development of grid-scale battery energy storage in New York is entering a critical phase. More than 19 GW of battery energy storage projects are advancing through NYISO's reformed ...



Application scenarios of energy storage battery products



STATE OF STORAGE IN NEW YORK

However, as New York progresses toward its goal of developing 6 GW of energy storage by 2030, the wholesale markets will continue to play an important role in enabling the development of ...

Contact Us

For catalog requests, pricing, or partnerships, please visit:
<https://www.kidsandparents.pl>

