

Egypt Wind Solar Energy Storage Power Station Project



Egypt Wind Solar Energy Storage Power Station Project

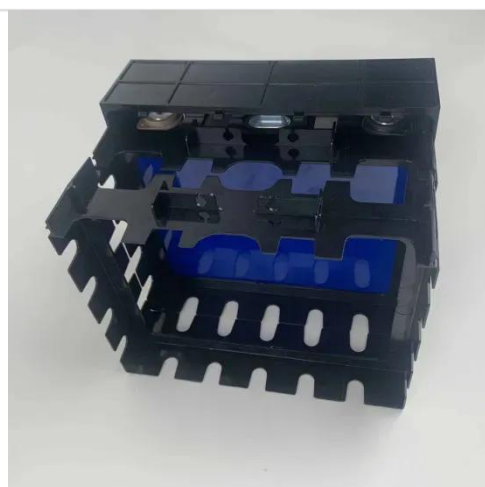


Hassan Allam, Infinity Power to develop 1.2GW ...

Hassan Allam Utilities Energy Platform and Infinity Power have signed agreements to develop two renewable energy projects in the country.

Egypt's Renewable Energy Plan: Targeting 12 GW by 2026

Explore Egypt's ambitious plan to add 12 GW of renewable energy by 2026. Learn about the \$3.5B investment in wind and solar projects driving the nation's energy transition.



150MW/300MWh! Egypt's Largest Standalone Energy Storage Project

The project is located in the Kom Ombo area of Aswan, Egypt, and was built as an expansion of an existing 500 MW PV power plant. The energy storage station has a capacity of 150 ...

Egypt Scales Up Wind and Solar Capacity , The Middle East ...

The project -- incorporating a 1.7 GW (AC) solar power station coupled with 1,500 MWh of battery storage and supplementary systems in Abu Qir and Naga Hammadi -- is intended to ...

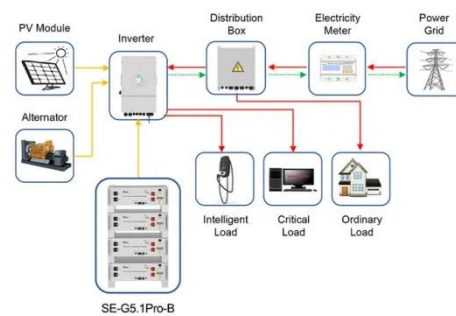


Egypt's Bess Revolution: Powering a Greener Future

Looking Ahead Battery storage is set to become a central pillar of Egypt's energy transition. As renewable capacity grows, these systems will ensure a reliable and flexible power supply, support ...

Egypt Signs 1.2GW Solar-Plus-Storage Project Agreement

Hassan Allam Utilities Energy Platform is co-controlled by the European Bank for Reconstruction and Development and currently manages 2.3GW of projects under construction and ...



Application scenarios of energy storage battery products

Egypt's Renewable Energy Buildout Continues as First Utility ...

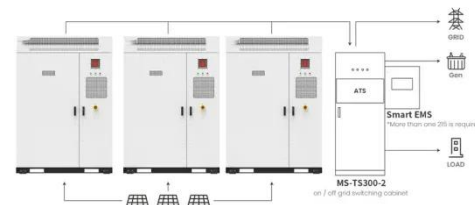
1. The 300-MWh Abydos BESS project,



which is aligned with a 500-MW solar power facility, makes the site near Aswan in southern Egypt home to the country's first utility-scale ...

AMEA Power Commissions Africa's Largest Wind Power Plant - a ...

Within six months, AMEA Power has brought 1GW of clean energy online in Egypt: the 500MW Solar PV Plant in Aswan and the newly completed 500MW Wind Power Plant in Ras ...



Application scenarios of energy storage battery products



Biggest Solar Energy and Wind Projects in Egypt

Egypt aims to generate 42% of its electricity from renewable sources by 2035. and the country's wind energy and solar potential is moving the country towards the goal.

Amea Power begins construction on 1 GW/600 MWh solar-plus-storage ...

Dubai-headquartered, MENA-focused renewable energy company Amea Power has announced the successful financing and the start of construction on a giant solar-and-storage project ...



Contact Us

For catalog requests, pricing, or partnerships, please visit:
<https://www.kidsandparents.pl>

