

Emergency power storage cabinet 1000mm deep



Emergency power storage cabinet 1000mm deep



Battery Cabinet Solutions for UPS & Energy Storage Systems

Global Power Supply provides secure, industry-compliant cabinet systems for data centers, hospitals, and other critical facilities that depend on uninterrupted power.

Lithium-ion Battery Cabinets DENIOS

Discover the latest lithium-ion cabinet design, featuring advanced safety measures like fireproof battery storage, perfect for residential and commercial energy storage applications.

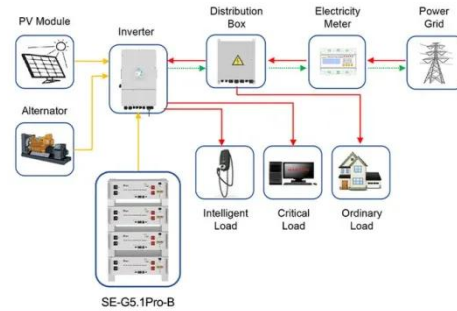


1000mm Deep Power Storage Cabinet Distributor

1000mm Deep Power Storage Cabinet Distributor , MSC Direct offers quality 1000mm Deep Power Storage Cabinet Distributor at a great value. Find premium products to last a lifetime!

Battery Cabinets & Enclosures

Our durable battery and charger cabinets offer protective enclosures that ensure reliable performance across environments. From safe power management to optimal space utilization, we provide ...



Application scenarios of energy storage battery products



Emergency Preparedness Cabinets For Safe Storage

Find emergency preparedness cabinets for storing & securing essential safety equipment. Best for storage solutions for any emergency. Order online today!

Emergency Preparedness Cabinets

Made with sturdy materials, these cabinets have a range of width, depth, and height options to fit various storage needs. They are made to easily mount onto walls, saving floor space, and feature a spacious ...



Stationary Energy Storage , SBE Cabinet 1000 , Generac

The Generac SBE Cabinet delivers compact, modular energy storage in a

cabinet-style configuration for tight spaces



industrial emergency power storage cabinet, Industrial Energy Storage

Whether it's adapting to specific peak shaving demands, virtual power plant integration requirements, or backup power supply scenarios, the customized energy storage cabinet perfectly matches actual ...



Orange Emergency Storage Cabinet , Electrical Pass-Through

For protected, quick access to emergency supplies during a disaster, this high performance cabinet features a fire-resistant design with durable powder paint "emergency orange" finish for high visibility. ...

Contact Us

For catalog requests, pricing, or partnerships, please visit:
<https://www.kidsandparents.pl>

