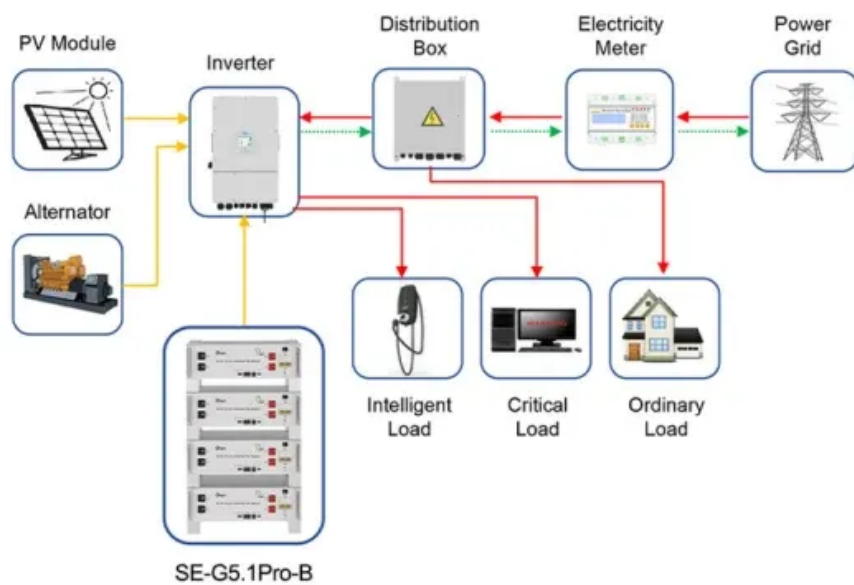


Energy Storage Temperature Control System Quote



Application scenarios of energy storage battery products



Overview

Global Energy Storage Temperature Control System Market Research Report: By Type (Air Thermal Management Systems, Liquid Thermal Management Systems), By Energy Source (Electric, Gas, Hydro), By Application (Utility-Scale Energy Storage, Residential Energy). Global Energy Storage Temperature Control System Market Research Report: By Type (Air Thermal Management Systems, Liquid Thermal Management Systems), By Energy Source (Electric, Gas, Hydro), By Application (Utility-Scale Energy Storage, Residential Energy). What Drives Energy Storage Thermal Management Costs?

Like a precision-engineered thermostat for large-scale batteries, temperature control systems balance performance and protection. Here's what impacts your budget: Pro Tip: The sweet spot for ROI?

Most commercial projects achieve payback in 3-5. Energy storage temperature control systems can range widely in price, influenced by several key factors: 1. For instance, lithium-ion-based systems generally command a higher price due to their advanced. Energy Storage Temperature Control System by Application (Industrial, Automobile, Electric Power, Other), by Types (Air Cooling, Liquid Cooling), by North America (United States, Canada, Mexico), by South America (Brazil, Argentina, Rest of South America), by Europe (United Kingdom, Germany. Energy Storage Temperature Control System Market report includes region like North America (U. S, Canada, Mexico), Europe (Germany, United Kingdom, France), Asia (China, Korea, Japan, India), Rest of MEA And Rest of World.

Energy Storage Temperature Control System Quote



Temperature Control for Energy Storage Systems Market

The Temperature Control for Energy Storage Systems Market size is expected to reach USD 6.8 billion in 2034 registering a CAGR of 10.5. This Temperature Control for Energy Storage ...

Energy Storage Temperature Control System Market Size, Potential

Evaluate comprehensive data on Energy Storage Temperature Control System Market, projected to grow from USD 9.5 billion in 2024 to USD 24.2 billion by 2033, exhibiting a CAGR of 10.9%. This ...



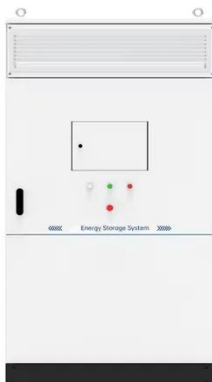
Energy Storage Temperature Control System Market Research ...

The Global Energy Storage Temperature Control System Market is segmented on the basis of application into utility-scale energy storage, residential energy storage, commercial energy storage, ...



How much does the energy storage temperature control system cost

Properly managed temperature control extends the life of the energy storage system, further contributing to cost-effectiveness. The long-term financial implications often outweigh the ...



Temperature Control for Energy Storage Systems XX CAGR Growth ...

This in-depth report provides a detailed analysis of the global Temperature Control for Energy Storage Systems market, projecting a market value exceeding \$20 billion by 2030.

Global Energy Storage Temperature Control System Supply, Demand ...

This reports profiles key players in the global Energy Storage Temperature Control System market based on the following parameters - company overview, production, value, price, gross margin, ...



Temperature Control for Energy Storage Systems Market Study

Overall, the trend indicates a shift toward more intelligent, energy-efficient, and reliable temperature control systems that support the evolving landscape of energy storage.

Global Energy Storage Temperature Control System Market ...

Energy Storage Temperature Control System is a key part of the safety guarantee of the energy storage system, and its main purpose is to keep the temperature of the energy storage battery equipment ...

Lithium battery parameters

Product capacity: 100Ah

Product size: 135*197*35mm

Product weight: 1.82kg

Product voltage: 3.2V

internal resistance: within 0.5



Understanding Energy Storage Temperature Control System

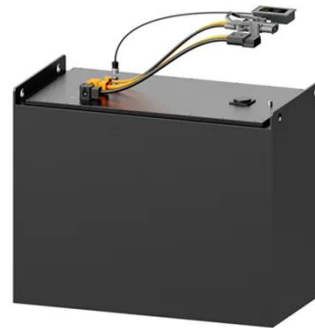


Costs: ...

Wondering how much an energy storage temperature control system costs? This guide breaks down pricing variables, industry benchmarks, and emerging trends - perfect for project planners, ...

Energy Storage Temperature Control System Market Size and Trends ...

The booming Energy Storage Temperature Control System (ESTCS) market is projected to reach \$15 billion by 2033, driven by renewable energy growth and EV adoption. Learn about ...



Contact Us

For catalog requests, pricing, or partnerships, please visit:
<https://www.kidsandparents.pl>

