

Energy storage power station water cooling system drawings



Energy storage power station water cooling system drawings



The Ultimate Guide to Energy Storage Power Station Design and

Let's face it - blueprints aren't exactly page-turners. But when it comes to energy storage systems, these drawings and technical documents are the secret sauce behind every ...

How it Works: Water for Power Plant Cooling

In this blog post, we'll explore the importance of water in power plants, compare traditional and innovative cooling systems, and discuss sustainable water management strategies.



Comprehensive Chilled-Water System Design

If the chiller will be used now or in the future as part of an energy storage system--whether water or ice storage--minor machine changes may be necessary at the time of selection, and may impact the ...

Centralized energy storage drawings

Energy storage projects typically utilize a variety of drawings, including 1. site layouts, 2. electrical schematics, 3. construction drawings, 4. system interconnection



Energy storage power station water cooling system drawings

The utility model discloses a cooling structure in an energy storage power station, and relates to the technical field of heat dissipation of energy storage power stations.

Stator Cooling Water in Power Generation Plants

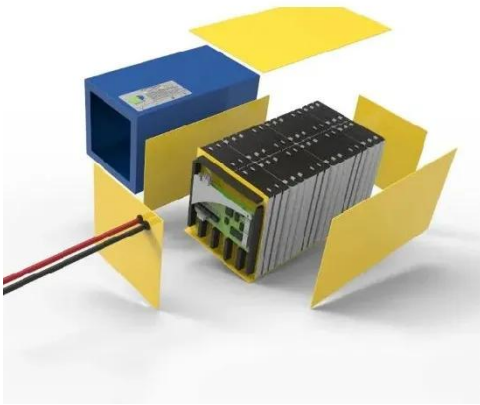
The purpose of this Customer Application Brief is to describe how an effective cooling water filtration system will provide long term added protection of the fine cooling channels of the stator cooling ...



Power Plant Cooling System illustrations

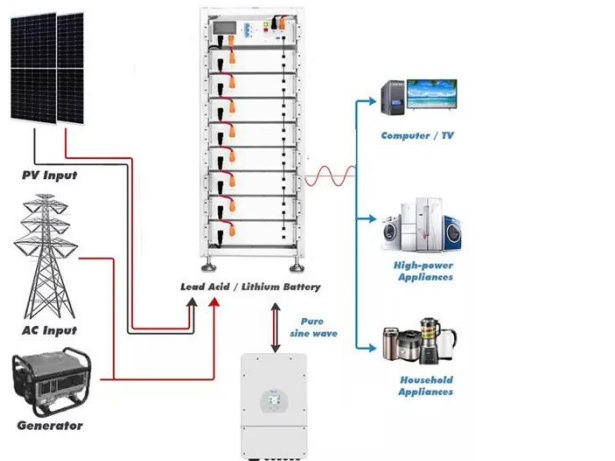
Find 1+ Thousand Power Plant Cooling System stock images in HD and millions

of other royalty-free stock photos, 3D objects, illustrations and vectors in the Shutterstock collection.



Power Plants: Recovering Water from Cooling Towers

Design a cost-effective retrofit system to recover water vapor from a mechanical draft cooling tower at an inland power plant of your choice that faces water scarcity.



A simple model to help understand water use at power plants

water use in thermal power plants is dominated by cooling. As a result, for plants with similar heat rates, the type of cooling system used in a generation plant has a greater effect on

Utility-scale battery energy storage system (BESS)

Battery storage systems are emerging

as one of the potential solutions to increase power system flexibility in the presence of variable energy resources, such as solar and wind, due to their unique ...



Contact Us

For catalog requests, pricing, or partnerships, please visit:
<https://www.kidsandparents.pl>

