

Ess energy storage system related certification

Lithium battery parameters

Product capacity: 100Ah

Product size: 135*197*35mm

Product weight: 1.82kg 197mm
/7.7in

Product voltage: 3.2V

internal resistance: within 0.5



Ess energy storage system related certification



Ess energy storage system related certification

The "UL9540 Complete Guide - Standard for Energy Storage Systems" explains how UL9540 ensures the safety and efficiency of energy storage systems (ESS). It details the critical criteria for ...

Certification for Energy Storage Systems

Learn how to navigate the complex world of certification for energy storage systems, ensuring compliance with industry standards and regulations.

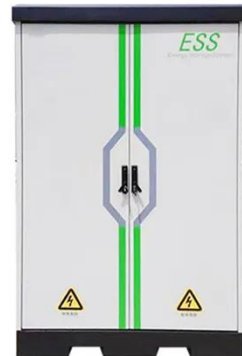


Energy Storage System (ESS) Testing and Certification

We provide a range of energy storage testing and certification services. These services benefit end users, such as electrical utility companies and commercial businesses, producers of energy storage ...

Energy Storage Systems (ESS) and Solar Safety

NFPA is keeping pace with the surge in energy storage and solar technology by undertaking initiatives including training, standards development, and research so that various stakeholders can safely ...



Energy storage system certification

DNV offers energy storage project stakeholders comprehensive certification and verification services.

Energy Storage System Testing and Certification

Safety Testing and Certification For Energy Storage Systems
Understanding UL 9540 and Ess Certification
Ess Performance and Reliability Testing
Marking For Energy Storage Systems
Custom Research of Energy Storage Systems
UL 9540, the Standard for Energy Storage Systems and Equipment, is the standard for safety of energy storage systems, which includes electrical, electrochemical, mechanical and other types of energy storage technologies for systems intended to supply electrical energy. The Standard covers a comprehensive review of



energy storage systems, covering c See more on ul dnv

Energy storage system certification - DNV

DNV offers energy storage project stakeholders comprehensive certification and verification services.



HANDBOOK FOR ENERGY STORAGE SYSTEMS

Singapore has limited renewable energy options, and solar remains Singapore's most viable clean energy source. However, it is intermittent by nature and its output is affected by ...

Energy Storage System Testing and Certification

UL can test your large energy storage systems (ESS) based on UL 9540 and provide ESS certification to help identify the safety and performance of your system.



Energy Storage Systems and Components , US , TÜV Rheinland

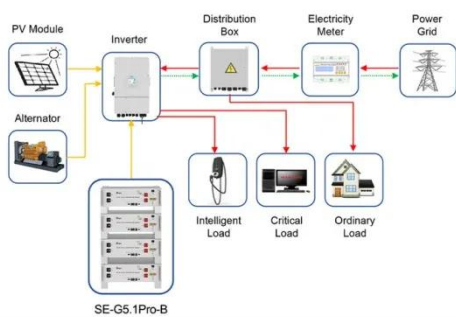
Safe, reliable and efficient with energy storage certification Energy storage



systems that have been tested and certified ensure reliable customers service, protect the natural environment and provide ...

Energy Storage Testing and Certification

Energy Storage Systems (ESS) play a critical role in modern power grids, renewable energy integration, and backup power applications. Ensure these systems meet regulatory safety, performance, and ...



Application scenarios of energy storage battery products

Energy Storage System Efficiency Testing and Certification

Energy Storage System Efficiency Testing and Certification: Ensuring Reliability and Safety As the demand for renewable energy sources continues to rise, energy storage systems (ESS) have ...

Contact Us

For catalog requests, pricing, or partnerships, please visit:
<https://www.kidsandparents.pl>

