

Estonian Solar Container Two-Way Charging



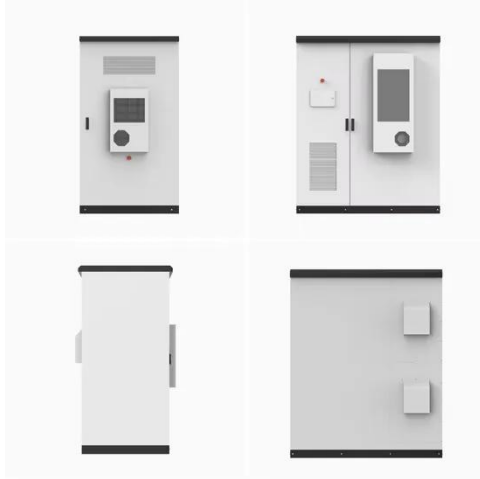
Overview

The project, spearheaded by the Baltic Storage Platform—a joint venture between Estonian energy company Evecon, French solar producer Corsica Sole, and sustainable finance management company Mirova—aims to bolster energy security and support Estonia's transition to renewable. The project, spearheaded by the Baltic Storage Platform—a joint venture between Estonian energy company Evecon, French solar producer Corsica Sole, and sustainable finance management company Mirova—aims to bolster energy security and support Estonia's transition to renewable. Estonia's climate minister, Yoko Alender, emphasized the role of storage systems in this transition, stating, “Estonia has a clear goal – by 2030, the amount of electricity we consume must come from renewable sources. What is the Baltic storage platform?

The project, spearheaded by the Baltic. the three shareholders Evecon OÜ¹, Corsica Sole², and Mirova³. BSP is focused on the development, construction and operation of high-performance BESS projects in Estonia and the Baltic region. Estonia's renewable energy capacity grew 28% between 2020-2023, creating urgent demand for adaptable storage systems. What are the different types of solar energy containers?

Solar Panels: The. The Baltic countries have good potential for solar photovoltaic (PV) energy generation, as on average 15 hours of sunlight is available in summer. Another potential option is to encourage the construction. The real magic happens in component sourcing. Take battery chemistry – LFP (lithium iron phosphate) cells dominate 78% of new installations here due to.

Estonian Solar Container Two-Way Charging

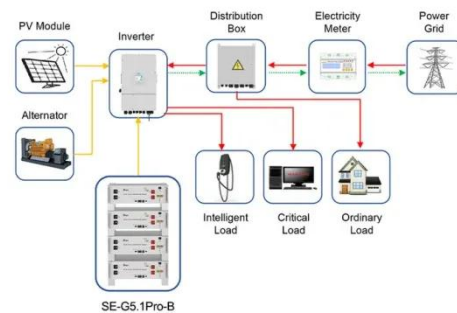


Estonian New Energy Storage Equipment Powering Europe's Green

For industries ranging from solar farms to manufacturing plants, Estonian companies like SunContainer Innovations deliver tailored solutions that balance efficiency and sustainability.

Customized container solar power system quotation for Estonia ...

Each solar-powered shipping container generator is transportable, securable, and can be fully customized to your specific needs, including hybrid and microgrid compatibility.



Application scenarios of energy storage battery products

Lithium Solar Generator: \$150

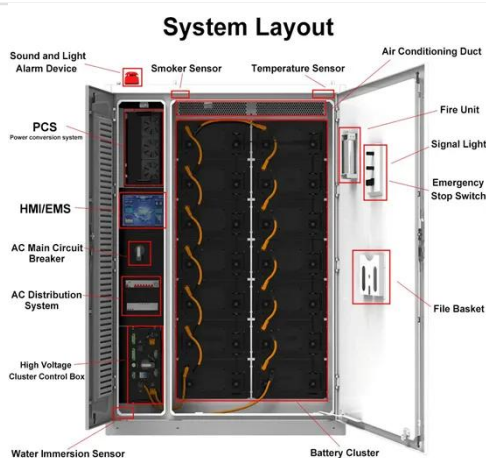


Mobile solar container range

Designed for Plug and play operations, the ZSC range of mobile solar power is easy to setup and commission. The compact container is easy to transport and is a low maintenance asset on site.

Estonian Solar Container Two-Way Charging , EQACC SOLAR

The project, spearheaded by the Baltic Storage Platform--a joint venture between Estonian energy company Evecon, French solar producer Corsica Sole, and sustainable finance management ...



Energy Storage Container Solutions: Powering Estonia's Sustainable

Meta description: Discover how modern energy storage containers revolutionize renewable energy integration and industrial power management in Estonia. Explore applications, market trends, and ...

Custom Energy Storage Solutions for Estonia: Tailored Container ...

Looking for flexible energy storage solutions in Estonia? Discover how customized containerized systems are transforming renewable energy adoption across industries.



Estonia Off-Grid Solar Container Type



Professional mobile solar container solutions with 20-200kWp solar arrays for mining, construction and off-grid applications. Mobile solar containers enable total off-grid operation, providing power in ...

Container Solar Kits in Estonia: Pricing & Market Insights

Why Estonia's Energy Shift Demands Solar Containers You know how Estonia's been making headlines lately? Just last month, the government announced plans to phase out oil shale ...



Container solar solutions project ROI in Estonia

Estonia has seen a significant increase in its solar power capacity in 2022, becoming one of the leaders in solar power per capita among EU members. With growing investments and innovative startups, it ...

Contact Us

For catalog requests, pricing, or partnerships, please visit:

<https://www.kidsandparents.pl>

