

Financing plan for a 100kW energy storage cabinet for water plants



Overview

This guide explores the key strategies and options for securing energy storage financing, helping project owners and sponsors navigate the financial landscape effectively. Financing Options For Onsite Generation, Energy Storage, and Energy Efficiency Projects. Own or lease space?

Growing, reorganizing, or static?

How would traditional lenders score you?

Limitations on debt or conflicting covenants?

“Off-balance sheet. As such, we're providing this “Cheat Sheet for Energy Storage Finance” based on our work as buy-side and sell-side investment bankers experienced in both energy storage venture capital and project finance. At Maxbo Solar, we. However, financing these projects—especially those requiring \$100 million or more —can be complex. What Dictates Your Borrowing Limit?

Revenue Streams: Can your storage room play the electricity market?

Projects with peak-shaving contracts get 10-15% better loan terms Take.

Financing plan for a 100kW energy storage cabinet for water plants



Financing Energy Storage Deployment: What Are the ...

According to Erik, the top three financing barriers are the lack of long-term contracts, the need for project off takers, and performance guarantees.

Energy Storage Financing

order-methods/ ABSTRACT This Study investigates the impact that operations and market strategy have on the design and value of an energy storage system on three levels of the facility: the cell ...



ENERGY STAR for Buildings and Plants

Property Assessed Clean Energy (PACE) is a financing mechanism that enables low-cost, long-term funding for energy and water efficiency and renewable energy projects.

Financing Energy Storage: A

Cheat Sheet

As such, we're providing this "Cheat Sheet for Energy Storage Finance" based on our work as buy-side and sell-side investment bankers experienced in both energy storage venture ...



Home Energy Storage (Stackble system)




High Efficiency


Easy installation


Safe and Reliable


Perfect Compatibility

Product Introduction

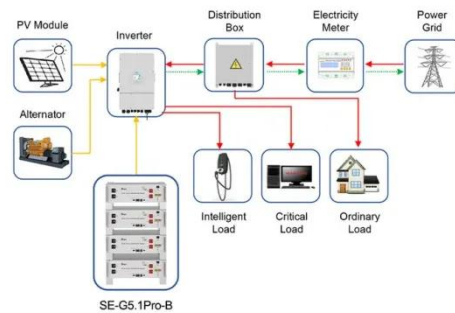
-  Scalable from 10kWh to 50 kWh
-  Self-Consumption Optimization
-  Integrated with inverter to avoid the compatibility problem
-  LFP battery, safest and long cycle life
-  Stackable design, effortless installation
-  Capable of High-Powered
-  Emergency Backup and Off-Grid Function

127135,123800 ...

While this document provides a general approach to selecting a financing mechanism for renewable energy generation, storage, and/or energy efficiency, it does not contain tax and/or legal advice.

How to Finance Energy Storage Projects

This guide explores the key strategies and options for securing energy storage financing, helping project owners and sponsors navigate the financial landscape effectively.



Application scenarios of energy storage battery products

How Much Can You Borrow for a Power Storage Room? A 2025 ...

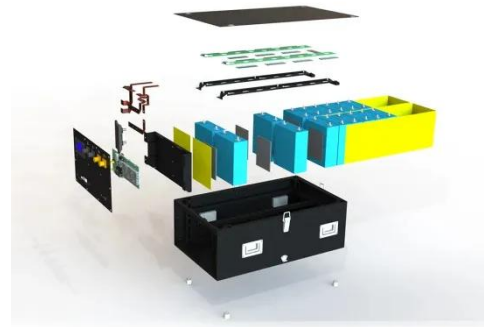
With global energy storage capacity projected to triple by 2030, the stakes



(and opportunities) have never been higher. But let's cut to the chase - you're here to learn about dollar ...

Financing Options For Onsite Generation, Energy Storage, and ...

This fact sheet outlines a 6-step process to help organizations select a financing mechanism for onsite energy generation, storage, and/or energy efficiency projects.



Power Your Future with 100kW Battery Storage: Discover Cost ...

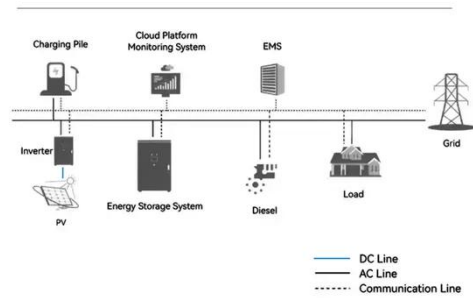
Investing in a 100kW battery storage system is a strategic decision that can enhance your energy efficiency, reliability, and cost-effectiveness. By understanding the design, budget options, and ...

Are there any financing options available for energy

storage systems

Loan Options: Companies like Mosaic offer flexible financing options for energy storage systems, including standalone battery storage and solar-plus-battery bundles. They provide loans up ...

System Topology



Contact Us

For catalog requests, pricing, or partnerships, please visit:
<https://www.kidsandparents.pl>

