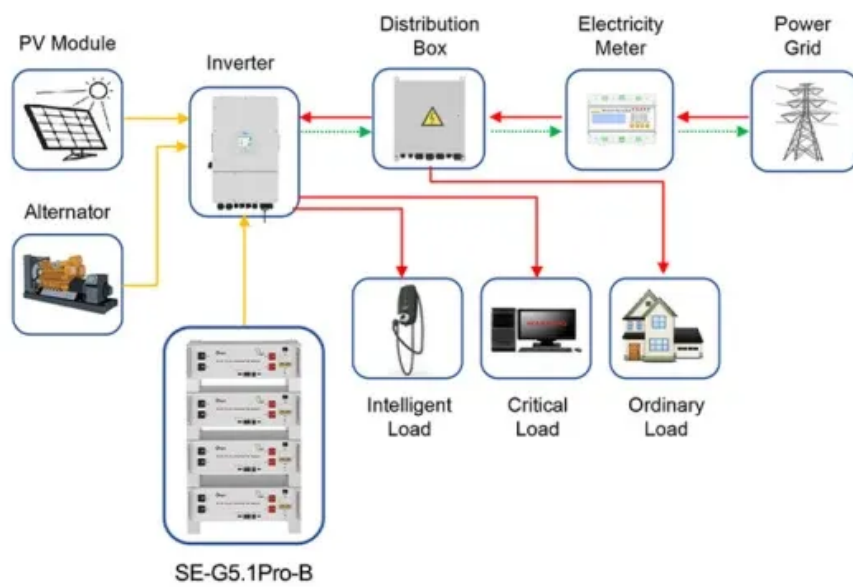


Home solar system prices in the Philippines



Application scenarios of energy storage battery products



Overview

Solar panel systems in the Philippines cost ₱165,000 to ₱1.8 million, depending on size and type (grid-tied, hybrid, or off-grid). A typical Filipino household using 300–450 kWh/month usually needs a 5 kW to 7 kW system, costing ₱280,000–₱460,000 for grid-tied and. In the Philippines, exported power is credited at ₱5-6/kWh vs ₱10-12/kWh for consumption. Best strategy: Use more solar during the day. After payback, you get essentially free electricity plus increased property value. Your trusted directory for contractors. Electricity prices in the Philippines continue to rise, with Meralco residential rates frequently reaching ₱12–₱13+ per kWh in recent months. However, the upfront cost of installing a solar energy system can still set you back significantly, but it is also important to.

Home solar system prices in the Philippines



How Much Is Solar Installation In The Philippines?

The information provided in this article about solar installation costs in the Philippines is based on general estimates and trends as of Febru. Prices can vary depending on ...

The Real Cost of Solar Panels in the Philippines (2025 ...

Discover updated costs, savings, pros, cons, and expert tips. Learn how to choose the right solar system for your home or business.



Solviva Energy

Find out how much a solar panel installation costs in the Philippines in 2025. Learn system prices, savings, and payment options--including Solviva Rent-to-Own Solar.

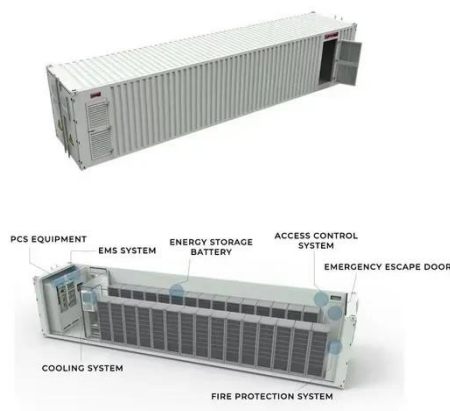
Solar Panel Price in the

Philippines (2025) , Cost & Installation Guide

Solar panel prices in the Philippines vary based on property type and other factors. For commercial properties, prices typically range from PHP20,000 to PHP30,000 per kilowatt, while residential

...

LPSB48V400H
48V or 51.2V



Solar Installation Cost Philippines 2025 , Complete Price Guide

How much does solar cost in the Philippines in 2025? Complete breakdown: 3kW system PHP150,000-250,000, 5kW PHP250,000-400,000. ROI, savings, and net metering explained.

Solar Panel Price Philippines

Solar panel prices vary widely depending on power, efficiency, and manufacturer. In this article, I will present the current prices of PV panels on the Philippine market, their parameters and ...



Magkano magpa-solar? How much does a solar panel system cost -- ...



PHILERGY German Solar specializes in fully automatic grid-tied solar systems for homes and businesses. We like to have each solar system be customized according to the client's needs ...

Solar in the Philippines: Real Answers to Real Questions (2025 Expert

Below is a short reference table showing typical installed prices (rounded, in Philippine pesos, 2025 market range): Exact figures depend on panel efficiency, inverter brand, labor, and local ...



How Much Do Solar Panels Cost in the Philippines?

How much do solar panels really cost in the Philippines today? This complete 2025 guide explains solar panel pricing, installation costs, system types, ROI, savings, realistic case studies, and ...

The Cost of a Solar System for Home: Are Solar Panels Worth It?

If you're unsure if the cost of a solar system for your home is something you can afford or overlook, then read on to weigh the pros and cons and decide for yourself if the price tag is worth the ...



Contact Us

For catalog requests, pricing, or partnerships, please visit:
<https://www.kidsandparents.pl>

