

How many liquid-cooled energy storage battery cabinets are there in Germany



Overview

At the turn of the year, more than 1.8 million storage systems with a capacity of around 19 GWh were installed in Germany, as the German Solar Industry Association (BSW-Solar) announced on Friday based on data from the market master data register. This growth is part of a broader expansion across the continent, where projects exceed 66 GW in operation and an announced capacity of over 39 GW. At the beginning of January 2025, Germany reported a total of. The Liquid Cooled Battery Cabinet Market was valued at 14.8% from 2026 to 2033, reaching an estimated 30. Around seven gigawatt hours of new storage capacity will be added by 2026 to the 1.

How many liquid-cooled energy storage battery cabinets are there in Germany?

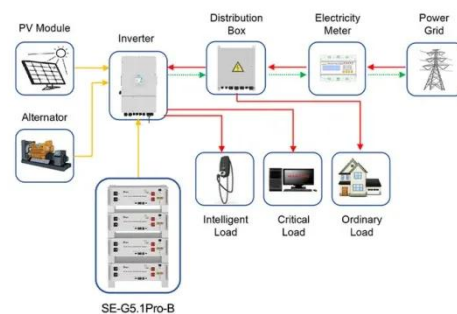


Germany's battery storage fleet surges to 19 GWh

At the turn of the year, more than 1.8 million storage systems with a capacity of around 19 GWh were installed in Germany, as the German Solar Industry Association (BSW-Solar) announced ...

Gotion starts mass production of liquid-cooled 5 MWh energy storage units

Gotion begins EU-certified mass production of 5 MWh energy storage units at its Göttingen facility in Germany, a former Bosch plant.



Application scenarios of energy storage battery products



Liquid Cooled Battery Cabinet Market Overview with Key Drivers

The German market for liquid cooled battery cabinets is witnessing substantial growth, driven by the nation's leadership in automotive manufacturing and renewable energy integration.

Liquid-cooled battery energy storage system Germany

The HJ-ESS-DESL series of liquid cooled commercial energy storage systems are highly efficient energy storage solutions designed for industrial and commercial applications with capacities ranging ...



Energy storage

The total stock and monthly additions of battery storage systems in Germany are shown below. The data is based on the Market Master Data Register (MaStR) of the Federal Network Agency.

Large battery storage systems in Germany

A current inventory of the Federal Association of the Solar Industry shows that almost 2024 stationary battery storage systems were newly installed in 600.000, resulting in approximately ...



BMW Newsletter Energiewende , New energy storage for Germany

At the beginning of January 2025, Germany reported a total of 18.2 GWh in



**Low Voltage
Lithium Battery**

6000+ Cycle Life

stationary battery storage systems. Of this, 15.8 GWh came from home storage systems, 2.8 GWh from utility ...

Battery Storage: Accelerating Germany's Transition to ...

A successful energy transition will require a variety of storage systems to absorb electricity during peak times and release it when needed -- for example in the evening and at night.



Large-scale battery storage in Germany set to increase five-fold within

A total of 1.51 million home storage systems with a combined capacity of 13 GWh were installed in Germany by the end of June. In addition, there was 1.1 GWh of commercial battery ...



Germany leads energy storage with over 1.8 million installed units

Energy storage has become a strategic pillar for Germany. In 2024, nearly 600,000 new stationary battery storage systems were installed in the country, according to data from the German ...



Contact Us

For catalog requests, pricing, or partnerships, please visit:
<https://www.kidsandparents.pl>

