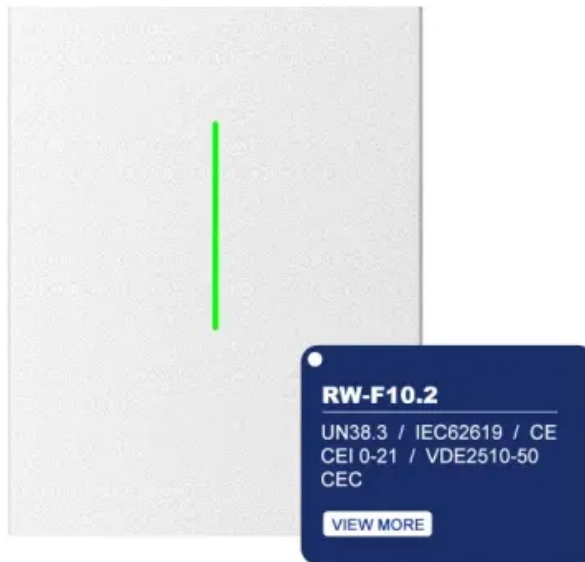


How many watts can a 12 volt solar panel hold



How many watts can a 12 volt solar panel hold



How many watts does a 12 volt solar power supply , NenPower

The wattage of a 12-volt solar power supply varies depending on its design, intended usage, and coupled components. 1. Typically, a standard 12-volt solar panel's wattage can range ...

How Many Solar Panels Do You Need to Charge a 12 Volt Battery?

To charge a 12-volt battery, you typically need one or more solar panels depending on factors like battery capacity, solar panel wattage, and available sunlight. Have you ever wondered ...

Modular design,
unlimited combinations in parallel
BUILT-IN DUAL FIRE PROTECTION MODULE



Solar Panel Size Calculator for 12V Battery Charging

Use our Solar Panel Size Calculator to determine the perfect panel for charging your 12V battery. Input capacity, voltage, and sun hours for results.



How many watts does a solar panel need to charge a 12-volt

...

Establishing the ideal solar panel outputs to adequately charge a 12-volt battery entails meticulous planning and analysis of various factors. The comprehensive interplay between battery ...

BMS Wiring Diagram



Voltage range: 691.2-947.2V

>6000 cycles (100%DOD)

Rated battery capacity: 216KWH (customizable)

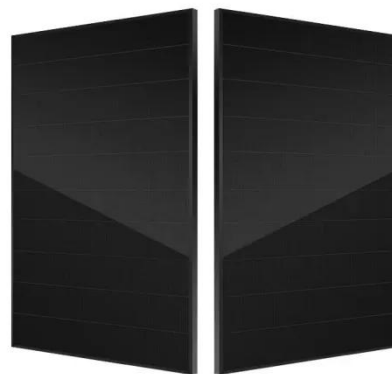
EMS communication: 4G/CAN/RS485

How Many Watts Solar Panel to Charge a 12V Battery: A ...

To charge a 12V battery with a capacity of 100 amp-hours at 20 amps, you need a solar panel rated at least 240 watts. A 300-watt panel or three 100-watt panels will work. This setup ...

How Many Solar Panel Watts for 12V Battery Charging: A ...

Using a charge controller is vital for maintaining battery health. In summary, a 100-watt solar panel can charge a 12V battery, but factors like battery capacity and sunlight availability affect ...



How Many Watts Solar Panel Do I Need to Charge 12V Battery?

12.8V 100Ah



When it comes to solar power, one of the first questions people ask is "How many watts solar panel do I need to charge 12V battery?" The answer to this question depends on a few factors, ...

How Many Watt Solar Panel To Charge 12 Volt Battery: Calculate ...

Unlock the power of solar energy with our comprehensive guide on how many watts are needed to charge a 12-volt battery. Learn about different solar panel types, key calculations for ...



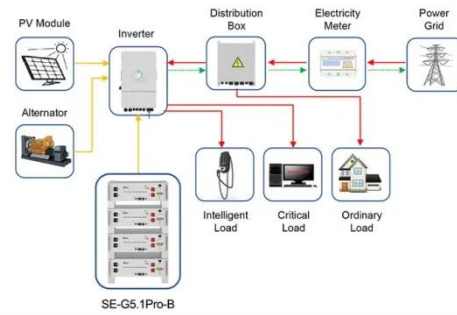
- IP65/IP55 OUTDOOR CABINET
- IP54/55
- OUTDOOR ENERGY STORAGE CABINET
- OUTDOOR BATTERY CABINET

How Many Solar Panel Watts for 12V Battery: A Complete Guide ...

Are you thinking about powering your devices with solar energy? Understanding how many watts you need from solar panels to charge a 12V battery can be a game-changer for your ...

How Many Solar Panels to Charge a Battery? (12V, ...

Learn how many solar panels you need to charge 12V, 24V, or 48V batteries. Step-by-step guide with real examples, sun hours & efficiency tips.



Application scenarios of energy storage battery products

Contact Us

For catalog requests, pricing, or partnerships, please visit:
<https://www.kidsandparents.pl>

