

How strong a wind is needed for a small wind turbine to generate electricity



Overview

To make a wind turbine work efficiently, you need a steady wind blowing at 10 to 20 mph. A small wind energy. To operate effectively, aim for wind speeds of 7 to 9 mph for power production, and for peak efficiency, target speeds between 25 to 55 mph before safety measures engage to shut down the turbine. Department of Energy, NREL, and other trusted resources, this comprehensive guide will help you understand how wind behaves, how to. What They Are: Wind turbines under 100kW used to generate electricity for a single home or business. The Big Catch: They are NOT practical for most homes. They require 1+ acres of land, very high average wind speeds (10+ mph), and tall towers.

How strong a wind is needed for a small wind turbine to generate e

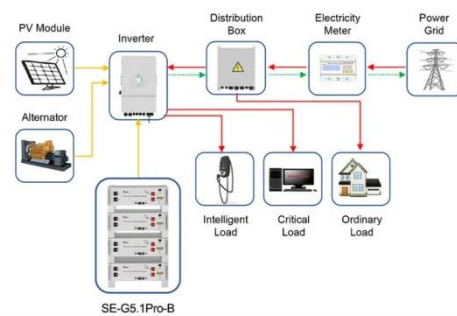


How Much Wind Is Needed To Operate A Turbine?

For small wind electric turbines, an annual average wind speed greater than four meters per second (m/s) is required. When wind speeds hit the cut-in speed, a typical modern turbine will ...

What Wind Speeds are Needed for Home Wind Turbines?

Home wind turbines are compact energy systems designed to generate electricity using wind power, but their effectiveness depends heavily on local wind conditions.



Application scenarios of energy storage battery products

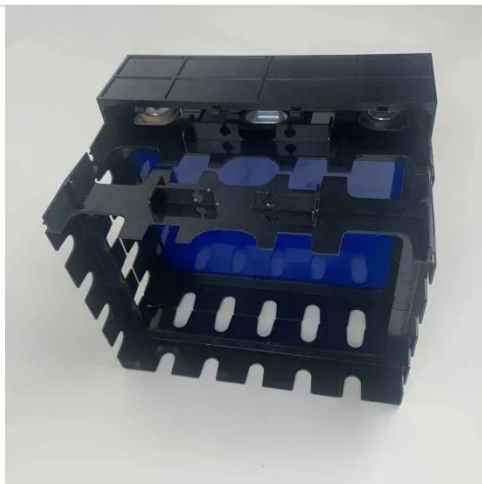


How Much Wind Does A Turbine Need To Be Useful?

Small wind turbines need an annual average wind speed of at least 9 miles per hour (mph) or 4 meters per second (m/s), while utility-scale turbines need an annual average wind speed ...

Wind Energy Factsheet

Approximately 2% of solar energy striking Earth's surface is converted into kinetic energy in wind. 1 Wind turbines convert this kinetic energy to electricity without emissions, 1 and can be built onshore ...



How Much Wind Is Needed for a Wind Turbine?

To make a wind turbine work efficiently, you need a steady wind blowing at 10 to 20 mph. This speed range jump-starts the turbine into converting wind energy to electricity effectively.

Small Wind Turbine Handbook 2026 - Size, Site & Install Your System

A residential wind turbine converts moving air into electricity for your home. Unlike those massive utility-scale giants you see on wind farms, home wind turbines are designed for individual ...



Small Wind Turbines: How Fast Must the Wind Blow?

The wind must blow at a minimum of 9



mph (4 m/s) for a small wind turbine to function. Generally, the minimum wind speed required for a wind turbine to generate electricity is between 5.6 ...

Home Wind Turbine Overview 2026 Guide to Small Wind Power

What They Are: Wind turbines under 100kW used to generate electricity for a single home or business. The Big Catch: They are NOT practical for most homes. They require 1+ acres of land, ...



Consumer Guide to Small Wind Energy Systems

The size of a turbine and the speed of the wind determine how much electricity (power) a wind energy system will produce. A small wind energy system has a power output from 400 watts to 100 kilowatts ...

Small Wind Turbines: How Fast Must the Wind Blow?

The U.S. Department of Energy considers average wind speeds of 10 to 12 mph (4.5 to 5.5 m/s) at hub height to be the minimum for cost-effective ...



How Much Wind Does a Turbine Need? 5 Facts Before You Install

The U.S. Department of Energy considers average wind speeds of 10 to 12 mph (4.5 to 5.5 m/s) at hub height to be the minimum for cost-effective small wind turbine installation.

Contact Us

For catalog requests, pricing, or partnerships, please visit:
<https://www.kidsandparents.pl>

