

# How to choose solar panels for 12v lithium iron phosphate batteries



## Overview

---

To effectively utilize lithium iron batteries with solar panels, one should follow several essential steps: 1. Choose the right battery size, 2. Install a suitable monitoring system. LiFePO4 batteries offer exceptional value despite higher upfront costs: With 3,000-8,000+ cycle life compared to 300-500 cycles for lead-acid batteries, LiFePO4 systems provide significantly lower total cost of ownership over their lifespan, often saving \$19,000+ over 20 years compared to. A 12-volt lithium-ion battery pack offers a powerful, efficient, and scalable solution for this upgrade. This text explains the benefits, outlines the necessary components, and provides a clear process for a successful solar panel battery integration. Were you aware that these system panels are available in both 12V and 24V variants?

This piece acts as a straightforward guide, navigating you through the varied battery types, their capacities, and. To find a solution that best meets your needs, consult a solar. com Energy Advisor to review custom designs, proposals, and savings estimates. Expanding on the significance of.

## How to choose solar panels for 12v lithium iron phosphate batteries

---



### **Comprehensive Guide to 12V Lithium Ion Batteries for Solar Power**

Lithium batteries, particularly LiFePO4 (Lithium Iron Phosphate), are ideal for solar power systems due to the following advantages: Longer cycle life: Up to 5,000+ cycles compared to 500 ...

---

### **Upgrade Your Panels With a 12 Volt Lithium Ion Battery Pack**

A guide to integrating a 12-volt lithium-ion battery pack with your solar panels. It covers benefits, component selection, and installation steps for energy independence.



---

### **How to Choose a 12.8V 100Ah Lithium Iron Phosphate Battery for ...**

You need to consider your power needs, solar panel output, charge controller compatibility, and installation environment. Here's a step-by-step guide to make it easy! The first step ...



## How to use lithium iron battery with solar panels , NenPower

To effectively utilize lithium iron batteries with solar panels, one should follow several essential steps: 1. Choose the right battery size, 2. Ensure proper compatibility with solar inverter, 3. ...



---

## Using Solar Panels to Charge LiFePO4 Batteries: A

When charging LiFePO4 batteries directly with solar panels, it is possible, but important considerations must be taken into account. Solar panels produce DC electricity, which is compatible ...



---

## Lithium Iron Phosphate Battery Solar: Complete 2025 ...

Comprehensive guide to LiFePO4 solar batteries. Learn sizing, installation, safety, and cost analysis. Compare top brands and get expert insights.



---

## How to Charge LiFePO4 Batteries with Solar Power: A Complete Guide

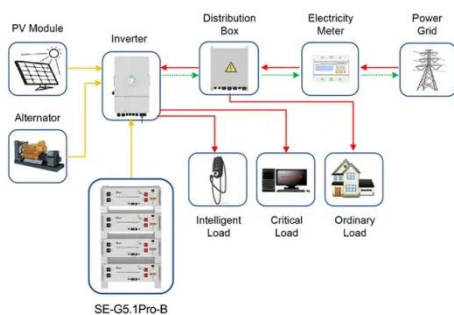
Learn how to safely and efficiently charge LiFePO4 batteries with solar



panels. Explore step-by-step instructions, required components, safety tips, and expert recommendations for building ...

## Selecting the Optimal Battery for Your 12V Solar Panel System: ...

When selecting a battery for your 12V solar panel system, consider factors such as battery type (lithium vs. lead-acid), capacity, cycle life, size and weight, and whether it has a built-in battery management ...



Application scenarios of energy storage battery products

## LFP Battery Solar Systems Explained , How LiFePO4 Solar Storage ...

Discover how LFP (LiFePO4) battery solar systems work, their advantages, charging process, and lifespan. Learn why they're the best choice for reliable solar energy storage.

## The Best Solar Batteries of 2026: Find Your Perfect Match

To find the best battery for your home, start with a goal. What problem are you trying to solve? There are three main use cases for adding a battery storage system to your home. Time-of ...



## Contact Us

---

For catalog requests, pricing, or partnerships, please visit:  
<https://www.kidsandparents.pl>

