

Intelligent Outdoor Photovoltaic Energy Storage Cabinet for Oil Platforms



✓ 100KW/174KWh

✓ Parallel up-to 3sets

✓ IP Grade 54

✓ EMS AND BMS



Intelligent Outdoor Photovoltaic Energy Storage Cabinet for Oil Plat

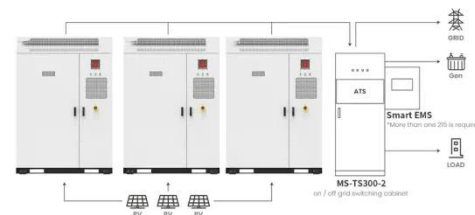


Outdoor Energy Cabinet Photovoltaic

The outdoor photovoltaic energy cabinet can provide reliable monitoring systems, photovoltaic, and battery systems. It is a unified power supply platform system that supports various AC and DC input ...

Energy-saving cabinet with integrated optical storage

Meet YD/T 1537-2015 outdoor cabinet standard, cabinet protection level: IP65 protection level. The cabinet supports 19-inch standard racks, and supports the installation of various devices that meet ...



Application scenarios of energy storage battery products

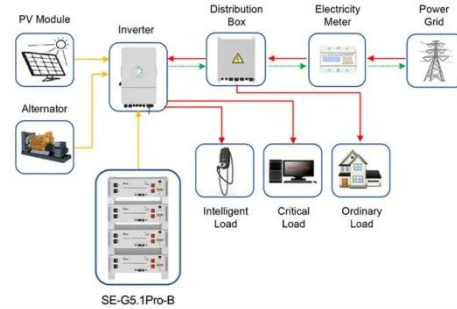


Five Highlights of the Integrated Outdoor Energy Storage Cabinet

Discover the key features of the outdoor integrated energy storage cabinet. Learn how it supports peak shaving, backup power.

Outdoor Cabinet Energy Storage System (ESS) for PV Storage

The ELECOD Outdoor Cabinet ESS for PV Storage & Charging offers an integrated and scalable energy storage solution designed for photovoltaic energy generation and charging applications.



Application scenarios of energy storage battery products



Outdoor Energy Storage System Cabinets , EPC Energy

From outdoor energy storage system cabinets to integrated cloud-based controls, EPC Energy has you covered. We want to help you create a sustainable future.

Energy Storage Outdoor Cabinets: Key Applications and Industry Trends

Outdoor energy storage cabinets have evolved from simple battery boxes to intelligent power hubs. Whether you're securing telecom networks or optimizing solar ROI, choosing the right cabinet ...



Outdoor Energy Storage All-in-One Cabinet Customized



Voltsmile's Outdoor Energy Storage All-in-One Cabinet is a future-proof, customizable, and high-efficiency solution for diverse energy storage applications. Whether for renewable integration, ...

Outdoor Cabinet Energy Storage System (215kWh , Oil Immersion)

This all-in-one cabinet features a modular design, allowing for flexible expansion and easy installation, operation, and maintenance. The unique oil immersion battery system ensures the safety of the ...



Outdoor photovoltaic energy storage cabinet

Operation Altitude 50kW/100kWh outdoor cabinet ESS solution (KAC50DP-BC100DE) is designed for small to medium size of C& I energy storage and microgrid applications.

OUTDOOR CABINET

Patented outdoor cabinet protection design, optimized heat dissipation

channels, protection against dust, rain, and sand; front and rear double-door maintenance, suitable for on-site installation of ...



Contact Us

For catalog requests, pricing, or partnerships, please visit:
<https://www.kidsandparents.pl>

