

Khartoum communication base station inverter photovoltaic power generation quotation



Overview

The typical cost of a solar base station can range from \$10,000 to over \$300,000, based on various design, capacity, and component quality factors. The power generated by solar energy is used by the DC load of the base station computer room, and the insufficient power is supplemented by energy storage. Welcome to our dedicated page for Khartoum solar container communication station Lithium Ion Battery 372KWh! Here, we provide comprehensive information about large-scale photovoltaic solutions including utility-scale power plants, custom folding solar containers, high-capacity inverters, and. BT2408021009PW is a three compartments base station cabinet designed and produced by BETE. The cooling of the cabinet uses two sets of air conditioners. The power generated by solar Jul 1, The rising demand for cost effective, sustainable and reliable energy solutions for telecommunication base stations.

Khartoum communication base station inverter photovoltaic power



Low Voltage
Lithium Battery

6000+ Cycle Life

SOLAR 1000 WATT POWER INVERTER FOR COMMUNICATION ...

Uninterrupted power supply for photovoltaic 5g communication base stations Base station operators deploy a large number of distributed photovoltaics to solve the problems of high energy consumption ...

Solar Quotation PDF , PDF , Solar Power , Power Inverter

The generators use photovoltaic solar panels, batteries, charge controllers, and inverters to convert solar energy to AC power. The quotations include estimated components, load capacities, ...



Solar Power Supply System for Communication Base Stations

Sunrisesenergy delivers customizable solar energy storage systems for communication base stations, featuring lower operation costs, reliability, and easy maintenance.

Khartoum solar container communication station Lithium Ion Battery

Here, we provide comprehensive information about large-scale photovoltaic solutions including utility-scale power plants, custom folding solar containers, high-capacity inverters, and advanced energy ...



Khartoum communication base station solar power generation system ...

The solar power supply system for communication base stations is an innovative solution that utilizes solar photovoltaic power generation technology to provide electricity for communication

Photovoltaic + Energy Storage for Communication Base Stations: A

Summary: This article explores how integrating photovoltaic (PV) systems with energy storage can revolutionize power supply for communication base stations. Learn about cost savings, reliability ...



Communication base station

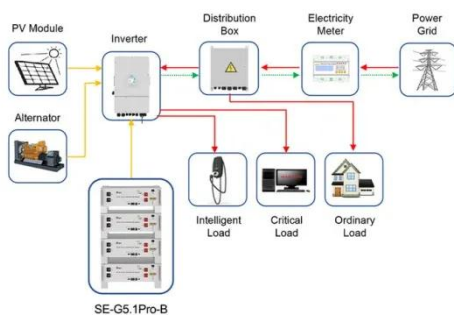
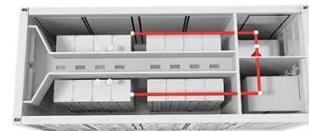
photovoltaic power generation quotation



The present invention relates to the field of communications, and in particular to a photovoltaic power generation tracking system for a communication base station without a photoelectric

Khartoum solar Communication Green Base Station

The solar power supply system for communication base stations is an innovative solution that utilizes solar photovoltaic power generation technology to provide electricity for communication



Application scenarios of energy storage battery products

Telecom Base Station PV Power Generation System Solution

The communication base station installs solar panels outdoors, and adds MPPT solar controllers and other equipment in the computer room. The power generated by solar energy is used by the DC load ...

MOBILE COMMUNICATION BASE

STATION SOLAR ENERGY

The typical cost of a solar base station can range from \$10,000 to over \$300,000, based on various design, capacity, and component quality factors. The communication base station installs solar ...



Contact Us

For catalog requests, pricing, or partnerships, please visit:
<https://www.kidsandparents.pl>

