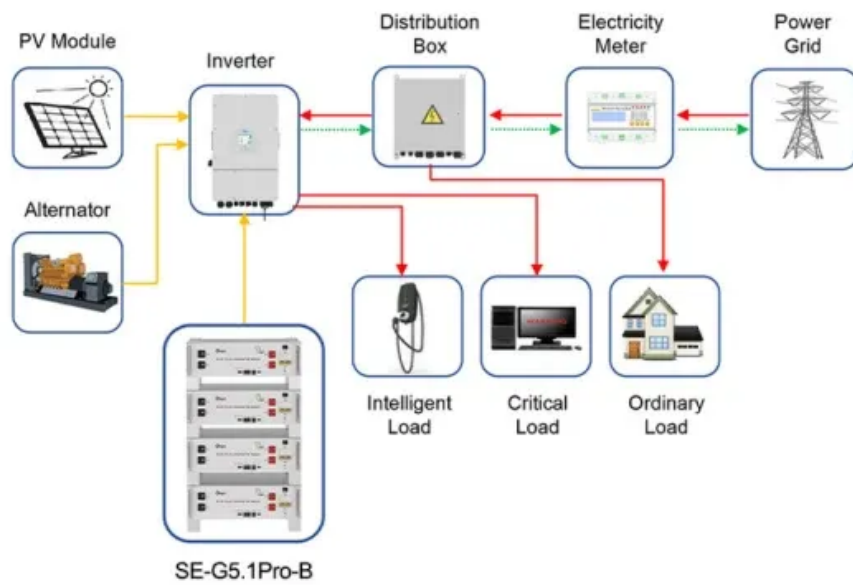


Koma Solar Panels



Application scenarios of energy storage battery products



Koma Solar Panels



?1KOMMA5° , Smart Energy Solutions

We ensure getting solar is stress & hassle-free. We use CEC-approved solar panels, batteries, inverters and installation equipment. We are also CEC-accredited solar designers & installers - our installs are ...

The 1KOMMA5° All Black Module: Sleek, Efficient

With the guiding principle of no compromise on quality, the sleek, all black solar panels from 1KOMMA5° - now certified for sale in Australia - shine as a beacon of sustainable energy generation.



? The 1KOMMA5° Full-Black solar panel



1KOMMA5° offers high quality solar panels with the latest technology and highest efficiency, supported by a 30-year product and 30-year performance warranty. With our all-black design, our panels blend ...

Buy a solar system: Secure affordable power now

These panels are engineered with the latest TopCon technology, delivering up to 450W of power with impressive efficiency. The sleek full-black design looks great on any roof and is designed to last, ...

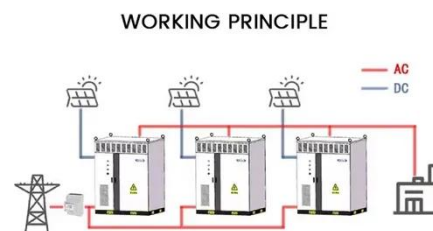


1KOMMA5 Reviews

Its comprehensive services extend from initial consultation and planning to government rebates processing, seamless installation and ongoing maintenance of energy systems, making them your ...

1Komma5° releases TOPCon module with Wacker polysilicon

German renewable energy startup 1Komma5° has launched a tunnel oxide passivated contact (TOPCon) solar module made with German polysilicon. The company said its Full Black ...



1KOMMA5° is a No. 1 Solar Battery Installer, a Top 5 Solar

Installer

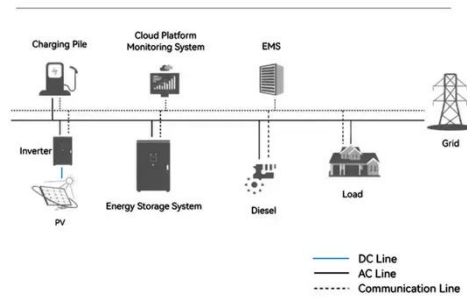


After thorough analysis of the solar and battery installations that occurred in 2024, SunWiz has found the following to be true: 1KOMMA5° is the #1 company in Queensland for the total ...

Introducing the all new 1KOMMA5°

Discover the 1KOMMA5° solar module, a symbol of sustainable energy and ethical production. Harness clean solar power while minimizing your carbon footprint and supporting forced labor-free practices.

System Topology



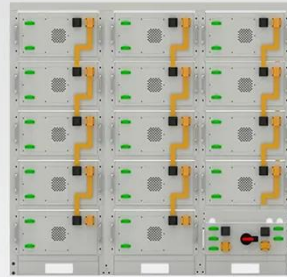
?1KOMMA5° , Smart Energy Solutions

We combine trade and high tech to always deliver the cheapest and cleanest energy. Whether photovoltaics, electricity storage, heat pumps or EV charging stations: 1KOMMA5° is the one-stop ...

1KOMMA5° Support

We're here to make energy solutions simple, so you can make the most of

your system and troubleshoot basic issues. About your appointment, installation day and decisions you need to make. What size ...



Battery String-S224

- 1C Charge/Discharge
- Easy configuration and maintenance
- Power supply can be single battery string or parallel battery strings

Contact Us

For catalog requests, pricing, or partnerships, please visit:
<https://www.kidsandparents.pl>

