

Large-scale promotion of intelligent photovoltaic energy storage battery cabinets



Overview

Summary: This article explores the latest patent advancements in photovoltaic energy storage cabinet design, focusing on modularity, safety, and efficiency. Learn how these innovations address global renewable energy challenges and discover real-world applications driving the solar storage market. System solutions with Sunny Central Storage battery inverters are used in storage power plants and PV hybrid systems worldwide. They ensure the stability of transmission lines and reduce energy costs through the use of photovoltaic energy and large-scale battery-storage systems in hybrid power.

PV Power Plant Solution-3 The 200MWh energy storage site in California, USA, consists of 120 ten-foot battery containers (BESS) and 20 twenty-foot 3450kWh boost converter cabins (ATEPS). We'll also analyze market tre. Multi-dimensional use, stronger compatibility, meeting multi-dimensional production and life applications High integration, modular design, and single/multi-cabinet expansion Zero capacity loss, 10 times faster multi-cabinet response, and innovative group control technology Meet various industrial. PGR SOLAR provides professional solar systems, energy storage cabinets, outdoor cabinets, battery cabinets, telecom cabinets, BESS systems, and photovoltaic solutions for South African industries Established in 2015, PGR SOLAR is a leading South African provider of advanced solar systems and energy.

Large-scale promotion of intelligent photovoltaic energy storage ba



Cabinet Energy Storage System , VREMT

Discover our high-efficiency, modular battery systems with zero capacity loss and rapid multi-cabinet response. Ideal for industrial, commercial, and emergency applications, our solutions offer remote ...

Large-scale storage solutions , SMA Solar

They ensure the stability of transmission lines and reduce energy costs through the use of photovoltaic energy and large-scale battery-storage systems in hybrid power generation systems. Large-scale

...



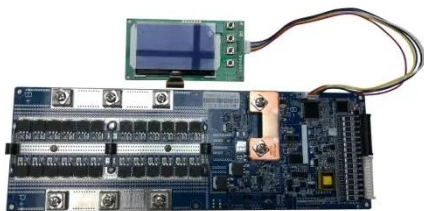
Commercial Battery Storage Solutions , GSL Energy

From compact 30 kWh lithium-ion cabinets to large-scale containerized 5 MWh solutions, our systems are designed for performance, flexibility, and seamless integration with solar, grid, or hybrid setups.



Micro Grid Energy Storage, Energy Cabinet, Container Energy ...

Huijue's Industrial and Commercial BESS are robust, scalable systems tailored for businesses seeking reliable energy storage. Our solutions integrate seamlessly into large-scale operations, supporting ...

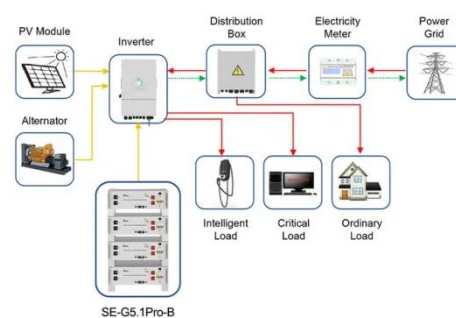


Innovations in Photovoltaic Energy Storage Cabinet Structure: Key

Summary: This article explores the latest patent advancements in photovoltaic energy storage cabinet design, focusing on modularity, safety, and efficiency. Learn how these innovations address global ...

A review on battery energy storage systems: Applications, ...

To this extent, an explicit overview of Battery Energy Storage is provided, especially as a Distributed Energy Resource, while a detailed description of hybrid PV-BESS installations, their ...



Application scenarios of energy storage battery products

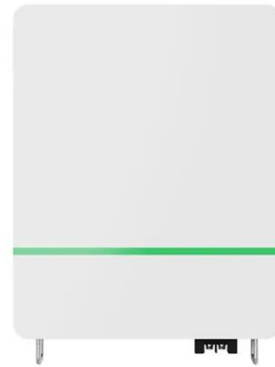
Solar Battery Storage Cabinet



The solar battery storage cabinet can be efficiently utilized both in large-scale Solar Farms and residential solar systems for green energy storage, guaranteeing stability and security in the power ...

Battery Cabinet for Energy Storage Station: Design, Applications, and

Summary: This article explores the role of battery cabinets in modern energy storage systems. From industrial-scale power management to renewable energy integration, discover how these systems ...



PGR SOLAR , Solar Systems, Energy Storage Cabinets & BESS ...

PGR SOLAR provides professional solar systems, energy storage cabinets, outdoor cabinets, battery cabinets, telecom cabinets, BESS systems, and photovoltaic solutions for South ...

Large-Scale Solar Energy Storage in California

This advanced solar PV system integrates seamlessly with energy storage to enhance efficiency, smooth power fluctuations, and maximize the use of renewable resources.



Contact Us

For catalog requests, pricing, or partnerships, please visit:
<https://www.kidsandparents.pl>

