

Lithium battery for solar water pump inverter



Lithium battery for solar water pump inverter



Best Lithium Ion Battery Solutions for Solar Inverters in 2025

Finding the right lithium ion battery for a solar inverter involves balancing capacity, safety, expandability, and compatibility. The following selection highlights popular options that work well with ...

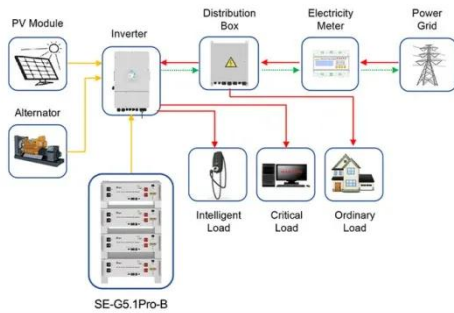
Best Lithium Ion Batteries and Solar Inverters for Efficient Energy

This article reviews top-rated solar inverters with integrated battery management and standalone lithium batteries optimized for solar applications. The featured products offer advanced ...



LiTime 48V Off-Grid Solar Power Kits (3.5kW / 5kW / 10kW)

LiTime 48V off-grid solar kits deliver 3.5kW, 5kW, or 10kW power with LiFePO4 battery and all-in-one inverter--perfect for cabins, sheds, farms, and workshops.



Application scenarios of energy storage battery products

Best Lithium Battery For Inverter [Updated: December 2025]

200AH lithium batteries enhance inverter performance by providing improved efficiency, greater energy capacity, faster charging, extended lifespan, and better weight-to-power ratio.



Best Lithium Battery For Inverter [Updated: February 2026]

Imagine standing in pouring rain with your expensive inverter gear, and suddenly realizing your battery's reliability is everything. I've tested countless lithium batteries for inverters, and one ...

Solar Inverters with Lithium

Batteries

Don't worry--I'm here to break it all down for you in simple terms. By the end of this guide, you'll have a clear understanding of what a solar inverter with a lithium battery is, how it works, ...



Best Lithium Ion Batteries for Solar Inverters With High Performance

By weighing these factors against your power needs and solar system design, you can select a lithium ion battery and inverter combination that provides stable, efficient, and safe solar energy storage ...

How to Choose the Right Battery for Solar Water Pumps

Off-the-shelf batteries are like off-the-rack suits: they fit some, but often poorly. Custom batteries can be tailored in size, shape, voltage, and protection level to fit your exact needs.



How to Select the Right Inverter for Your Lithium Battery Pack



A definitive inverter selection guide for lithium battery systems. Learn the crucial differences between AC and DC coupling, key compatibility factors, and system design principles to ...

How to Choose the Right Inverter for a Lithium Battery System

Selecting the right inverter for lithium battery applications is one of the most critical decisions when designing a modern energy system. Whether you are building a residential solar setup, a commercial ...



Contact Us

For catalog requests, pricing, or partnerships, please visit:
<https://www.kidsandparents.pl>

