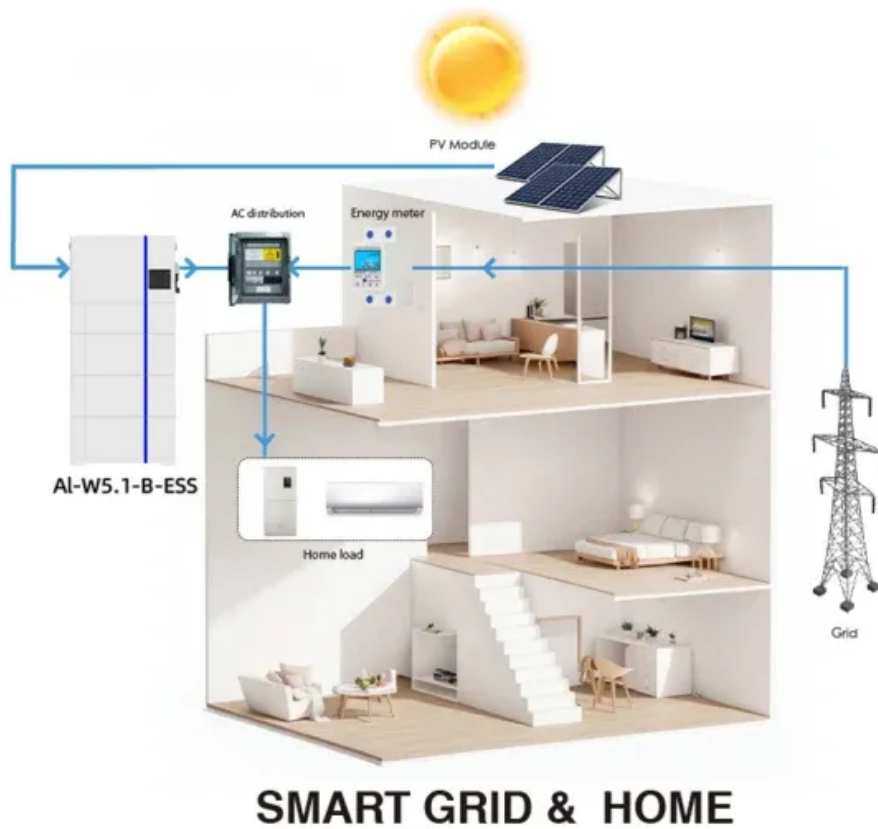


# Long-term payment method for mobile energy storage containers



## Overview

---

These three structures include equipment vendor financing, that may offer a deferred payment schedule; modular architecture which allows financing parties to take back collateral in a default scenario, and thus reduce the financing costs; and finally, a more complicated real estate. These three structures include equipment vendor financing, that may offer a deferred payment schedule; modular architecture which allows financing parties to take back collateral in a default scenario, and thus reduce the financing costs; and finally, a more complicated real estate. For Battery Energy Storage System (BESS) manufacturers and integrators, the right payment method can mean the difference between smooth cash flow and serious financial exposure. Let's compare the most common payment methods in the storage industry — their advantages, risks, and best-fit situations. Energy capital costs drive LCOS for large systems with long duration discharges and low CF. The growth is primarily comprised of large grid-connected stationary storage, utilizing lithium-ion batteries fueled by their. This Note explains how project sponsors can monetize BESS projects, which store electricity during periods of high supply and release it when demand is high. It examines various offtake structures, including fixed-price contracts like capacity or tolling agreements and resource adequacy contracts.

## Long-term payment method for mobile energy storage containers

---

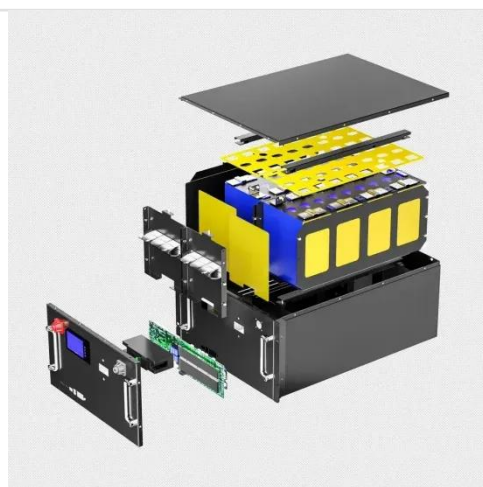


### Mobile Energy Storage System , Pulsar Industries

These self-contained systems deliver fast-deploying, plug-and-play electricity -- without noise, fumes, or fuel costs. From 100 kWh compact trailers to multi-megawatt container systems, we offer scalable ...

### Payment Method for 500kWh Mobile Energy Storage Container

The latest capex and Levelised Cost of Storage (LCOS) for large, long-duration utility-scale Battery Energy Storage Systems (BESS) across global markets outside China and



### Financing Energy Storage Deployment: What Are the ...

According to Erik, the top three financing barriers are the lack of long-term contracts, the need for project off takers, and performance guarantees.

## How to Finance Energy Storage Projects

By leveraging project finance, debt and equity options, government incentives, and long-term revenue contracts, energy storage companies can secure the funding needed to bring their projects to life.



## Comparing Payment Methods in Storage Trade

Let's compare the most common payment methods in the storage industry -- their advantages, risks, and best-fit situations.

## Long Duration Energy Storage Viability Survey

Use storage material costs to determine if storage system could be viable.



## Battery Energy Storage Financing Structures and Revenue ...

These financing requirements may drive developers of battery storage projects to

enter into long-term capacity or tolling contracts or hedging agreements to establish a floor on project cash flows.



## Payment Method for Schools Using Mobile Energy Storage

...

Integrating energy storage not only empowers schools to optimize their energy use but also provides a platform for engagement by involving students in practical, hands-on learning experiences related to ...

To Strive forward No Energy Waste



✓ All in one

✓ 100~215kWh High-capacity

✓ Intelligent Integration



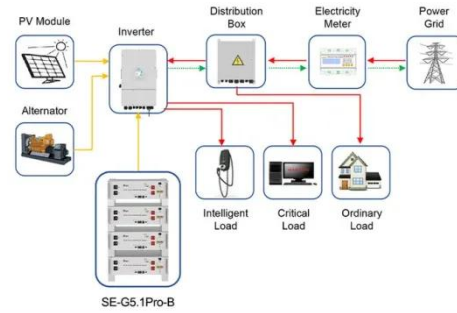
## Low-carbon-driven Capacity Payment Mechanism of Long-term ...

The long-term energy storage has not been considered in the existing capacity cost payment mechanism for the traditional power generation units, so the economic drive for the development of ...

## Long-Duration Electricity

## Storage Applications, Economics, and

The economics of long-duration storage applications are considered, including contributions for both energy time shift and capacity payments and are shown to differ from the cost ...



Application scenarios of energy storage battery products

## Contact Us

For catalog requests, pricing, or partnerships, please visit:  
<https://www.kidsandparents.pl>

