

# Low-Temperature Power Cabinet Selection Guide



## Overview

---

Whether you're specifying industrial enclosures for a new facility or upgrading existing infrastructure, this guide provides the technical framework and practical insights needed to make informed decisions that protect both your equipment investments and operational continuity. What Defines an. Hubbell's Sectionalizing Cabinets and Secondary Pedestals are not only strong, durable and easy to install, they also emphasize security and convenience. Made from fiberglass, metals, or plastics, they are designed to meet the most rigorous industry standards. Clarify Core Requirements — Define the Selection Direction At the initial stage, you need to answer several basic but critical questions: Voltage Level: Is it for high-voltage (10 kV or 35 kV) primary energy distribution or. The ABB MNS® low voltage distribution board and power cabinet are a new set of modular and multipurpose low-voltage products. As a member of the ABB MNS family, this particular product is widely used in the lower-level power distribution facilities with MNS® low-voltage switchgear in the following. For engineers, a scientific cooling design process should follow three core steps: heat calculation, fan matching, and layout design, to achieve effective cooling, reasonable energy use, and convenient maintenance. The following explains each step in detail with practical examples. For example, if you're looking for a corrosion-resistant electrical control cabinet for outdoor installation.

## Low-Temperature Power Cabinet Selection Guide

---



### Industrial Electrical Cabinet Selection Guide 2025

Complete guide to electrical cabinet selection, IP ratings, material specs & installation. Expert insights on industrial enclosures for global operations.

---

### Primary Sectionalizing Cabinets & Secondary Pedestals

Hubbell's Sectionalizing Cabinets and Secondary Pedestals are not only strong, durable and easy to install, they also emphasize security and convenience. Made from fiberglass, metals, or plastics, they are designed ...



---

### How to Choose the Best Electrical Cabinet: A Complete Buying Guide

When choosing an electrical cabinet for industrial or commercial use, prioritize durability, proper NEMA or IP rating, correct size, and material compatibility with your environment 1.

## Industrial Low-Voltage Distribution Cabinet Selection Guide and

This article will comprehensively introduce the selection points, technical parameters, installation specifications, and maintenance management of industrial low-voltage distribution cabinets.



### Optimal Cabinet Selection for Power Distribution Rooms

Optimize power distribution room performance with strategic selection of high & low voltage cabinets, balancing cost, reliability, and energy efficiency.

### Choosing the Right Power Distribution Cabinet for Your Electrical Needs

Discover the importance of selecting the right power distribution cabinet for system reliability, efficiency, and compliance with industry standards. Learn about critical features, material selection, and load ...



**MNS® Low Voltage**

### Lithium Solar Generator: \$150



## Distribution Board and Power Cabinet

The ABB-MNS® distribution board and power cabinet are of a welded structure. The product comes in a good variety of shapes, and is highly versatile, structurally innovative, and mechanically rigid. Its enclosure is ...

## Industrial Control Cabinet Cooling Selection Guide: Prevent Equipment

For engineers, a scientific cooling design process should follow three core steps: heat calculation, fan matching, and layout design, to achieve effective cooling, reasonable energy use, and ...



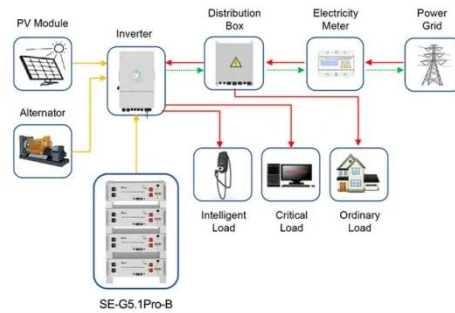
## How to Choose High and Low Voltage Distribution Cabinets? This

We offer distribution cabinet selection from standard to highly customized solutions, paired with comprehensive support -- from pre-sales consultation, scheme design, and installation guidance to lifelong maintenance.



## Electric Cabinet Solutions for Industrial & Commercial Use

Discover top electric cabinets for industrial and commercial applications. Find durable, secure, and customizable solutions. Click to explore trusted suppliers and enhance your electrical system efficiency ...



Application scenarios of energy storage battery products

## Contact Us

For catalog requests, pricing, or partnerships, please visit:  
<https://www.kidsandparents.pl>

