

Madrid outdoor power solar energy storage cabinet lithium battery price



Overview

Discover how battery energy storage systems (BESS) are transforming Spain's energy landscape. When asking "How much is the BESS outdoor power supply in Madrid?

", prices typically range from €800/kWh to €1,500/kWh, depending on capacity and technology. When asking. And with Alpha 1 Pro's battery management system and smartphone monitoring, you always know how much. Lightweight & Durable: Lighter than lead-acid batteries and built to handle rough roads and harsh weather.

Madrid outdoor power solar energy storage cabinet lithium battery



Price list of one kilowatt lithium battery energy storage cabinet

Price list of one kilowatt lithium battery energy storage cabinet CellBlock Battery Storage Cabinets are a superior solution for the safe. storage of lithium-ion batteries and devices containing them. Battery ...

Outdoor Battery Box Enclosures and Cabinets , Lithium-ion , Solar

AZE's heavy duty outdoor battery enclosures and Lithium battery storage system are available in NEMA 3R, or 4X configurations. These outdoor battery enclosures, which come in all shapes and sizes, are ...



How Much Is the BESS Outdoor Power Supply in Madrid? Pricing, ...

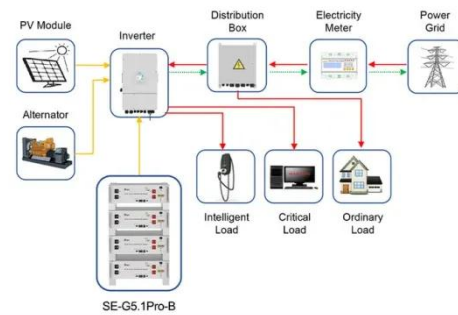
Summary: Curious about the cost of BESS outdoor power solutions in Madrid? This guide breaks down pricing factors, industry trends, and real-world

applications for renewable energy storage.

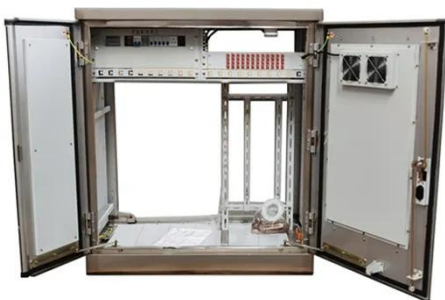


Understanding Spanish Lithium Battery Energy Storage Cabinet Prices

Spanish lithium battery energy storage cabinet prices reflect technological advances and market maturity. While upfront costs remain significant, smart system design and government incentives ...



Application scenarios of energy storage battery products



Madrid cabinet energy storage system price

Standard outdoor battery cabinet, MC Cube-T uses the new-generation LFP battery for energy storage, and adopts the world's first CTS (Cell To System) integration technology, small changes, large ...

madrid energy storage battery cabinet 15mwh , etrailer

This deep cycle lithium battery provides efficient, long-lasting power for your RV. Built-in BMS protects your battery and optimizes charging from solar controllers and converter chargers.



Understanding Energy Storage Equipment Costs in Madrid: A 2024 ...

What Drives Energy Storage Equipment Costs in Madrid? If you're exploring solar batteries or industrial storage solutions in Madrid, you've probably asked: "Why do prices vary so much?"

Solar Off-Grid Lithium Battery Banks & Backup ...

BigBattery provides lithium-ion battery packs that are perfect for powering any off-grid solar application. Browse our products today to find what you need.



Madrid Lithium Battery Energy Storage Price Guide: Costs, Trends

Summary: Exploring lithium battery

energy storage prices in Madrid? This guide breaks down cost drivers, market trends, and practical tips for residential, commercial, and industrial buyers.



ESS Outdoor Cabinet for Lithium Battery and Inverter , AZE

AZE's battery energy storage system (BESS) are designed to store 19" lithium batteries, inverters and electrical components in one outdoor cabinet, with features like high energy density, battery ...



Contact Us

For catalog requests, pricing, or partnerships, please visit:
<https://www.kidsandparents.pl>

